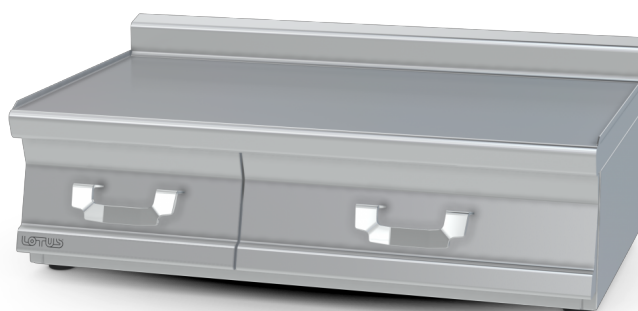


PLT-610

60 MAGICLOTUS WORK TOP - TOP



Worktop with 2 inox drawers,
1xcm.51x47x15h + 1xcm.31x47x15h



Construction - Fabricated using CrNi 18/10 AISI 304 grade Stainless Steel
Scotch-Brite Satin polish Finish, incorporating 1mm thick worktop,
rounded edges, chromed details and rear splash back. Model -
Professional worktop with or without drawer . Fittings - Adjustable feet.

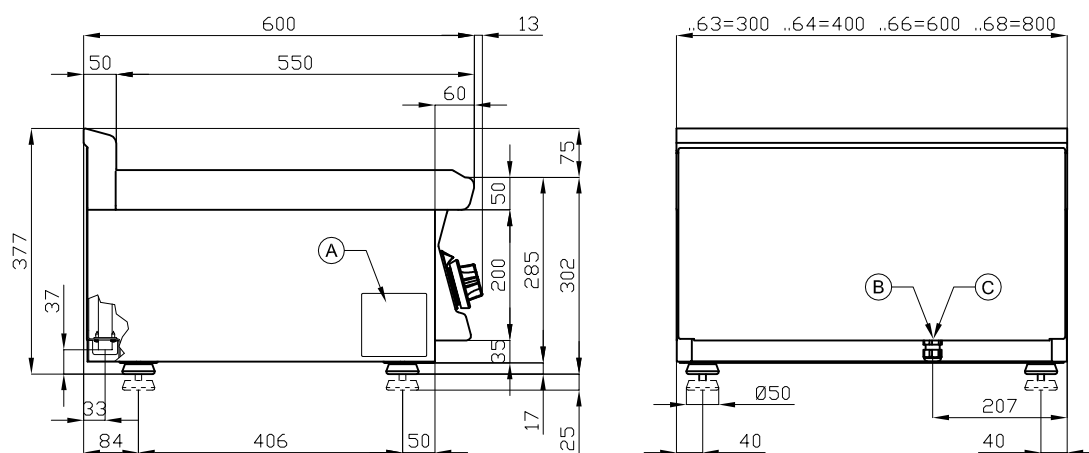


ITALIAN CULINARY ART

The pictures are purely representative. The manufacturer reserves the right to modify the technical data and models without previous notice.

PLT-610

60 MAGICLOTUS
WORK TOP - TOP



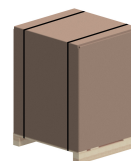
A	Data plate				
---	------------	--	--	--	--

MODEL:

PLT-610

DIMENSIONS:

cm. 100x 60x 28h



kg: 51
m³: 0.462
mm: 1030x690x650

BUY LOTUS BUY ITALY

The pictures are purely representative. The manufacturer reserves the right to modify the technical data and models without previous notice.



LOTUS S.P.A. Via Calmaor, 46
31020 San Vendemiano(TV) - Italy
Tel. + 39 0438 778020 / 778468
Fax + 39 0438 778277
www.lotuscookers.it - lotus@lotuscookers.it