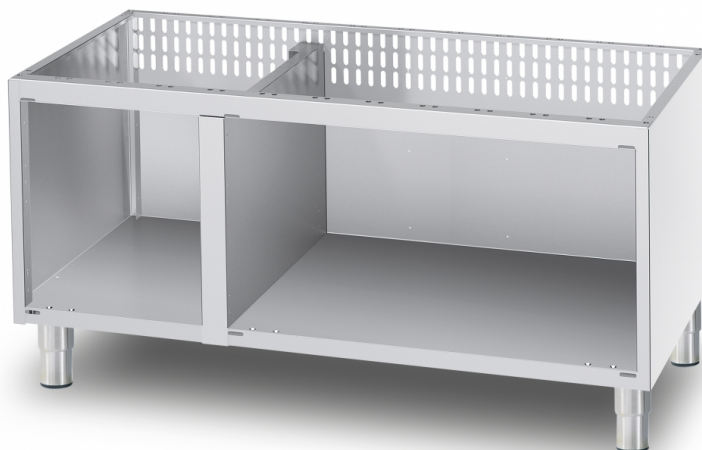


M-912

90 IPERLOTUS TOP STAND

Open Stand 40/80



Construction - Fabricated using CrNi 18/10 AISI 304 grade Stainless Steel
Scotch-Brite Satin polish Finish, rounded edges and chromed details.
Model - Professional Stand for Induction and Worktop Units. Fittings -
Appliance is supplied with adjustable feet, Doors not Included, except for
Induction Unit top.

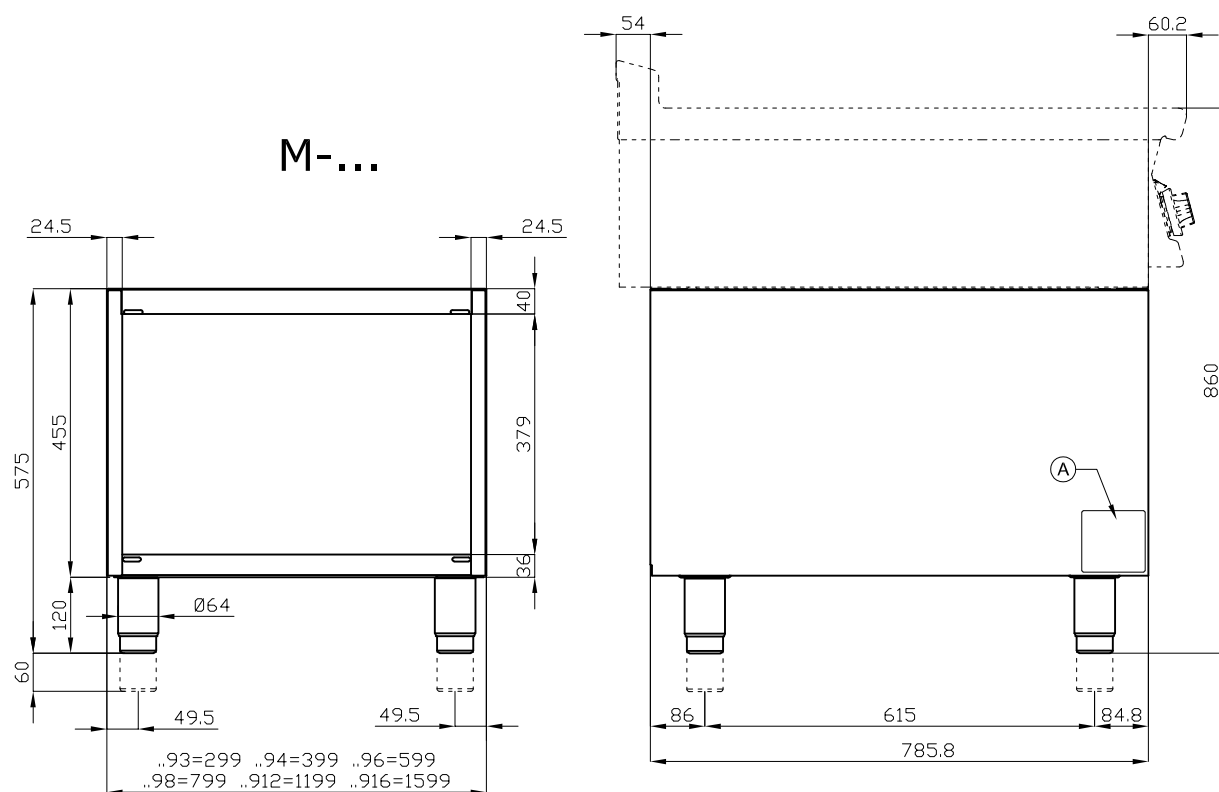


ITALIAN CULINARY ART

The pictures are purely representative. The manufacturer reserves the right to modify the technical data and models without previous notice.

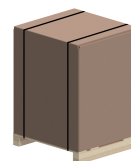
M-912

90 IPERLOTUS TOP STAND



A	Data plate				
---	------------	--	--	--	--

MODEL: M-912
DIMENSIONS: cm. 120x 78,5x 57h



kg: 38
m³: 0.752
mm: 1230x970x630

BUY LOTUS BUY ITALY

The pictures are purely representative. The manufacturer reserves the right to modify the technical data and models without previous notice.



LOTUS S.P.A. Via Calmaor, 46
31020 San Vendemiano (TV) - Italy
Tel. + 39 0438 778020 / 778468
Fax + 39 0438 778277
www.lotuscookers.it - lotus@lotuscookers.it