

BRF-94ET

90 IPERLOTUS FIXED ELECTRIC BRATT PANS



Electric multi-function fixed braising pan
Bowl cm. 32,5x64,5x10h (included 1 Head
end filler strip mod.TPA-9)



Construction - Fabricated using CrNi 18/10 AISI 304 grade Stainless Steel Scotch-Brite Satin polish Finish, incorporating 2mm thick worktop, rounded edges, chromed details and rear splash back. Knobs with waterproof grades IPX5. **Model** - Professional Electric Bratt Pan with 100mm deep fixed singletank with highly efficient conductive stainless steel base, thermostatically controlled up to 300deg C, removable liquid collector. **Maintenance** - All serviceable parts are accessible by the easy removal of front control panel. **Fittings** - Appliances supplied with adjustable feet.



ITALIAN CULINARY ART

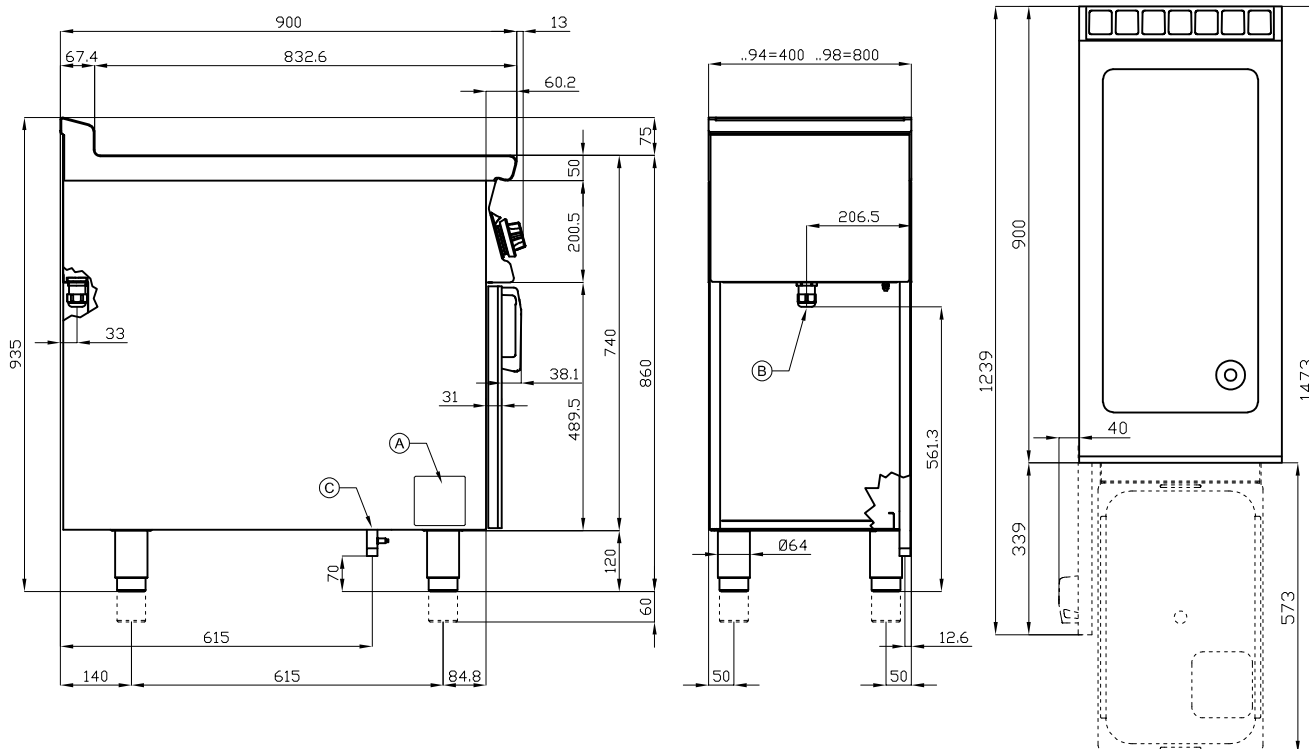
The pictures are purely representative. The manufacturer reserves the right to modify the technical data and models without previous notice.

BRF-94ET

90 IPERLOTUS
FIXED ELECTRIC BRATT PANS

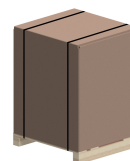


View 3D



A	Data plate	B	Electrical connection
---	------------	---	-----------------------

MODEL: BRF-94ET
 DIMENSIONS: cm. 40x 90x 90h
 ELECTRIC POWER: 7,5 kW
 VOLTAGE: 400V~3N
 FREQUENCY: 50/60 Hz



kg: 79
 m³: 0.463
 mm: 430x970x1110

BUY LOTUS BUY ITALY

The pictures are purely representative. The manufacturer reserves the right to modify the technical data and models without previous notice.



LOTUS S.P.A. Via Calmaor, 46
 31020 San Vendemiano(TV) - Italy
 Tel. + 39 0438 778020 / 778468
 Fax + 39 0438 778277
 www.lotuscookers.it - lotus@lotuscookers.it