

# PCC-94ET

90 IPERLOTUS

ELECTRIC BOILING UNIT

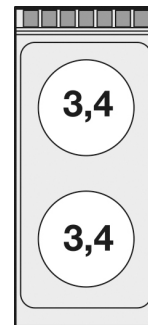


View 3D

Ceramic glass boiling unit on open cabinet -  
n. 2 zones - glass cm.35x77 (included 1 Head  
end filler strip mod.TPA-9)



**Construction** - Fabricated using CrNi 18/10 AISI 304 grade Stainless Steel Scotch-Brite Satin polish Finish, incorporating 2mm thick worktop, rounded edges, chromed details and rear splash back. Knobs with waterproof grades IPX5. **Model** - Professional Electric Boiling Hob on open cabinet. Cast Iron square or round hot plates with steel border seals, seven position switch and temperature limiter. Ceramic glass tops with radiant heat hot plates and warning lights for residual heat. **Maintenance** - All serviceable parts are accessible by the easy removal of front control panel. **Fittings** - Appliance is supplied with adjustable feet. Doors not included.



ITALIAN CULINARY ART

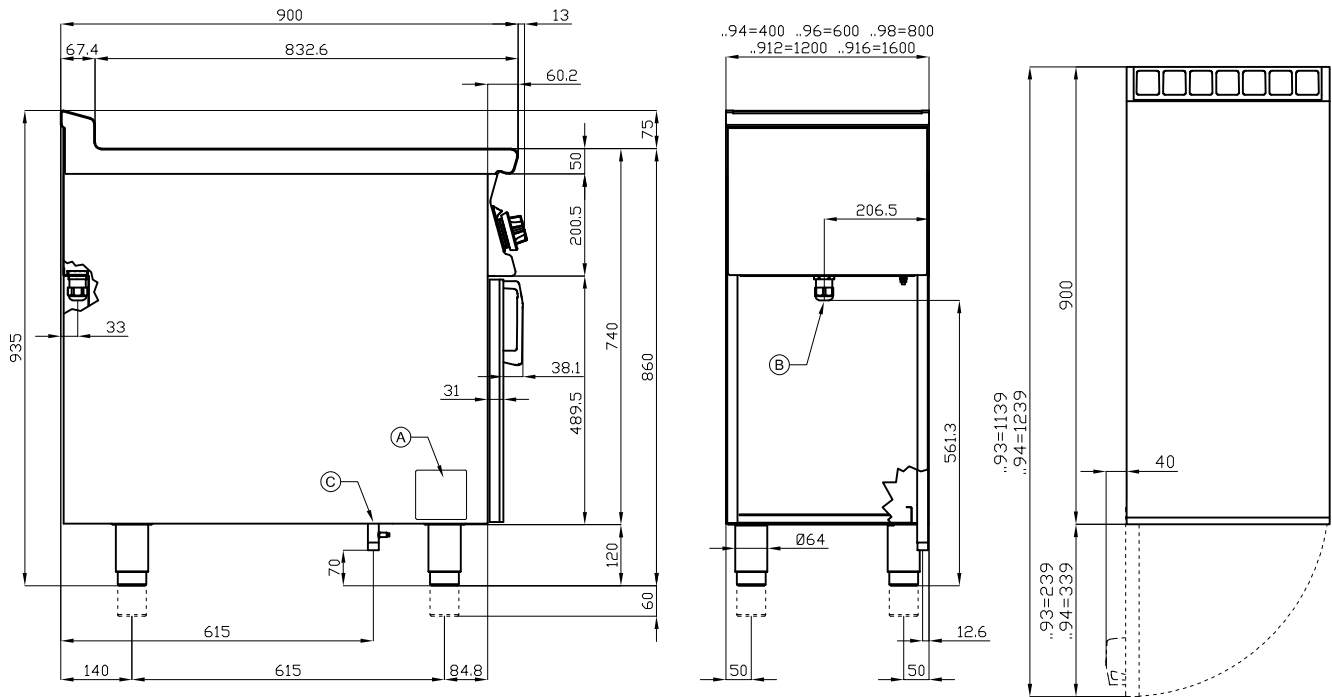
The pictures are purely representative. The manufacturer reserves the right to modify the technical data and models without previous notice.

# PCC-94ET

90 IPERLOTUS  
ELECTRIC BOILING UNIT



View 3D



A	Data plate	B	Electrical connection
---	------------	---	-----------------------

MODEL: PCC-94ET  
 DIMENSIONS: cm. 40x 90x 90h  
 ELECTRIC POWER: 6,8 kW  
 VOLTAGE: 400V~2N / 230V~3 / 230V~  
 FREQUENCY: 50/60 Hz



kg: 48  
 m<sup>3</sup>: 0.463  
 mm: 430x970x1110

BUY LOTUS BUY ITALY

The pictures are purely representative. The manufacturer reserves the right to modify the technical data and models without previous notice.



LOTUS S.P.A. Via Calmaor, 46  
 31020 San Vendemiano(TV) - Italy  
 Tel. + 39 0438 778020 / 778468  
 Fax + 39 0438 778277  
 www.lotuscookers.it - lotus@lotuscookers.it