

PC-94ET

90 IPERLOTUS

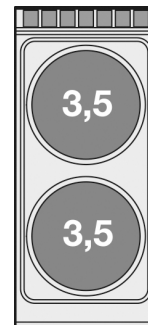
ELECTRIC BOILING UNIT



Boiling unit threephase on open cabinet - N.
2 plates (included 1 Head end filler strip
mod.TPA-9)



Construction -Fabricated using CrNi 18/10 AISI 304 grade Stainless Steel Scotch-Brite Satin polish Finish, incorporating 2mm thick worktop, rounded edges, chromed details and rear splash back. Knobs with waterproof grades IPX5. Model - Professional Electric Boiling Hob on open cabinet. Cast Iron square or round hot plates with steel border seals, seven position switch and temperature limiter. Ceramic glass tops with radiant heat hot plates and warning lights for residual heat.
Maintenance - All serviceable parts are accessible by the easy removal of front control panel. Fittings - Appliance is supplied with adjustable feet. Doors not included.

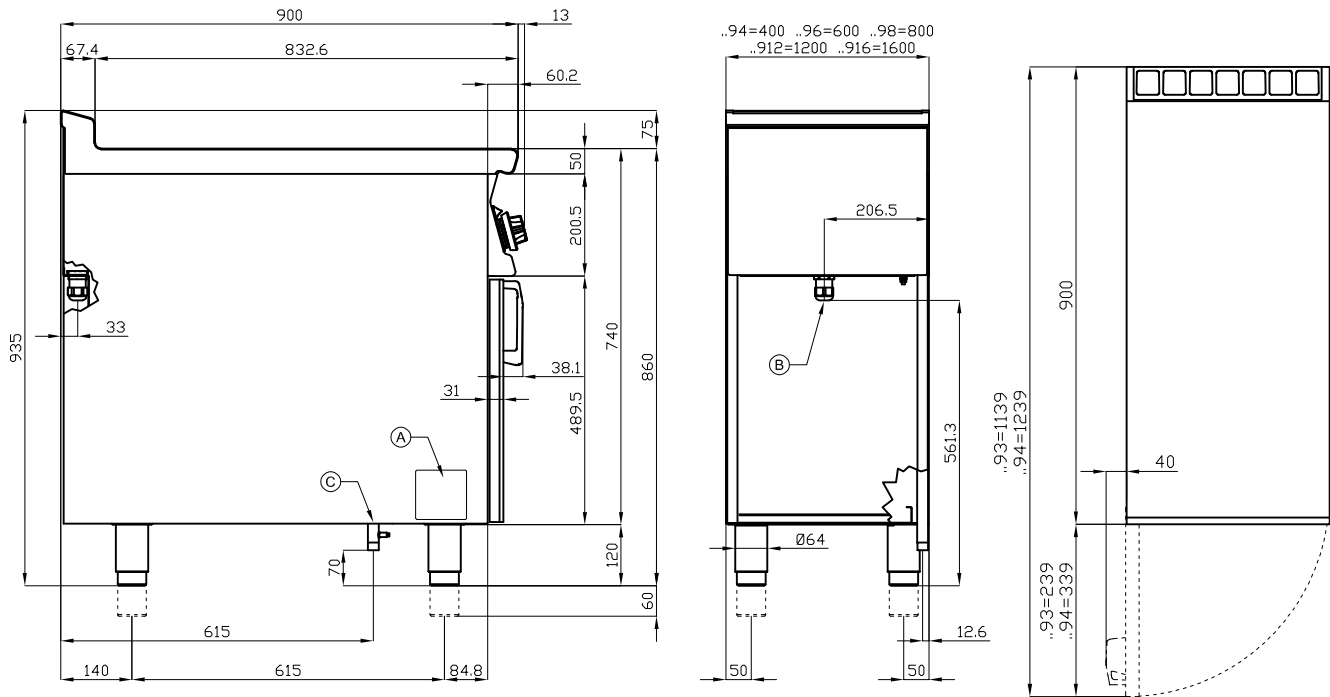


ITALIAN CULINARY ART

The pictures are purely representative. The manufacturer reserves the right to modify the technical data and models without previous notice.

PC-94ET

90 IPERLOTUS
ELECTRIC BOILING UNIT



A	Data plate		B	Electrical connection	
---	------------	--	---	-----------------------	--

MODEL: PC-94ET
DIMENSIONS: cm. 40x 90x 90h
ELECTRIC POWER: 7,0 kW
VOLTAGE: 400V~2N / 230V~3 / 230V~
FREQUENCY: 50/60 Hz



kg: 53
m³: 0.463
mm: 430x970x1110

BUY LOTUS BUY ITALY

The pictures are purely representative. The manufacturer reserves the right to modify the technical data and models without previous notice.



LOTUS S.P.A. Via Calmaor, 46
31020 San Vendemiano(TV) - Italy
Tel. + 39 0438 778020 / 778468
Fax + 39 0438 778277
www.lotuscookers.it - lotus@lotuscookers.it