

# F18-74ETDP

70 SUPERLOTUS

ELECTRIC ELECTRONIC FRYER



View 3D

Electric electronic Fryer with a 7" TouchScreen. Conservation at 110 °C and preworking at 160 °C with or without Melting. Possibility to store in the memory up to 100 programs. Oil presence sensor and maximum level sensor. Pump for filter the hot oil max 180°C, Tank cleaning, Tank emptying. Bowl 18 lts cm.31x34x33h - 2 baskets cm.13,5x29x21h. Sieve and lid for pan. Oil collection basin with support on wheels with sieve 5 microns (pcs.100 included). Production: 23 kg/h (included 1 Head end filler strip mod.TPA-7)



ITALIAN CULINARY ART

The pictures are purely representative. The manufacturer reserves the right to modify the technical data and models without previous notice.

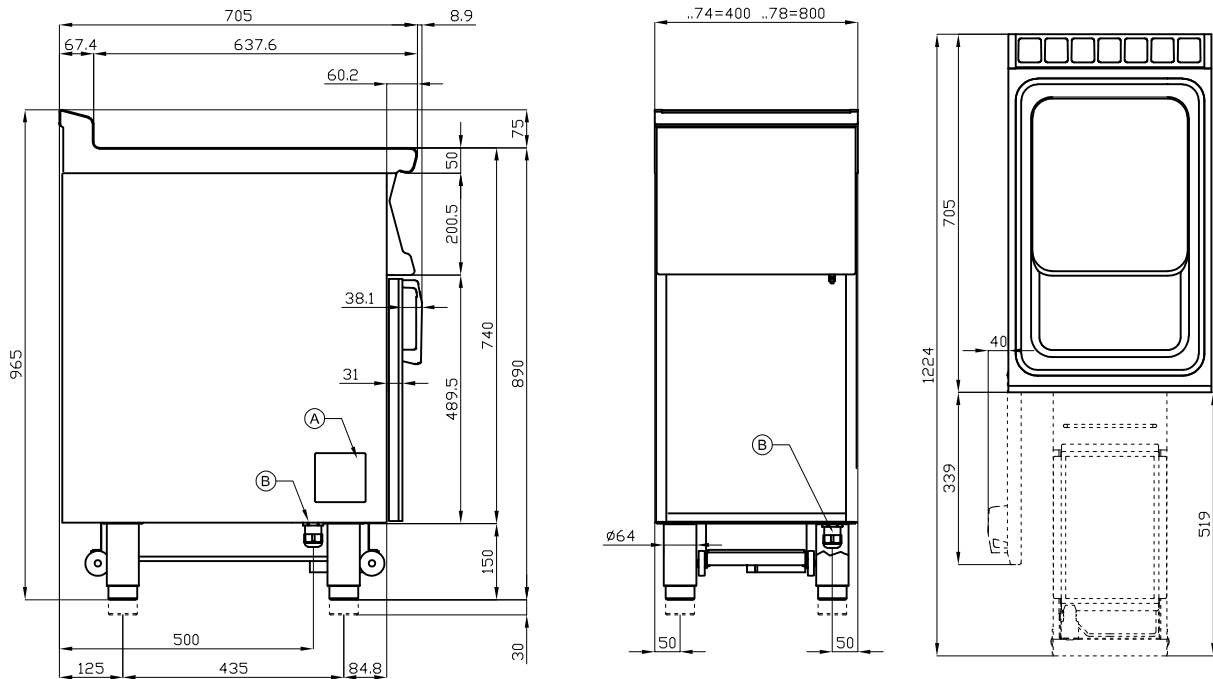
# F18-74ETDP

70 SUPERLOTUS

ELECTRIC ELECTRONIC FRYER



View 3D



|   |            |  |   |                       |  |
|---|------------|--|---|-----------------------|--|
| A | Data plate |  | B | Electrical connection |  |
|---|------------|--|---|-----------------------|--|

MODEL: F18-74ETDP  
DIMENSIONS: cm. 40x 70,5x 90h  
ELECTRIC POWER: 16,2 kW  
VOLTAGE: 400V~3N  
FREQUENCY: 50/60 Hz



kg: 73  
m<sup>3</sup>: 0.404  
mm: 430x770x1220

BUY LOTUS BUY ITALY

The pictures are purely representative. The manufacturer reserves the right to modify the technical data and models without previous notice.



LOTUS S.P.A. Via Calmaor, 46  
31020 San Vendemiano(TV) - Italy  
Tel. + 39 0438 778020 / 778468  
Fax + 39 0438 778277  
www.lotuscookers.it - lotus@lotuscookers.it