

BM-78ET

70 SUPERLOTUS ELECTRIC BAIN MARIE



Bain marie threephase on open cabinet -
Bowl for GN 2/1 15h, water loading cock,
floor draining (included 1 Head end filler
strip mod.TPA-7)



Construction - Fabricated using CrNi 18/10 AISI 304 grade Stainless Steel Scotch-Brite Satin polish Finish, incorporating 2 mm thick worktop, rounded edges, chromed details and rear splash back. Knobs with waterproof grades IPX5. Model - Professional Electric Bain-Marie on Open Unit. Moulded Gastronome 150mm deep tank. Thermostatic control. Maintenance - All serviceable parts are accessible by the easy removal of front control panel. Fittings - Appliance is supplied with adjustable feet, Water fill tap, Overfill safety valve and floor drain. Doors not included.



ITALIAN CULINARY ART

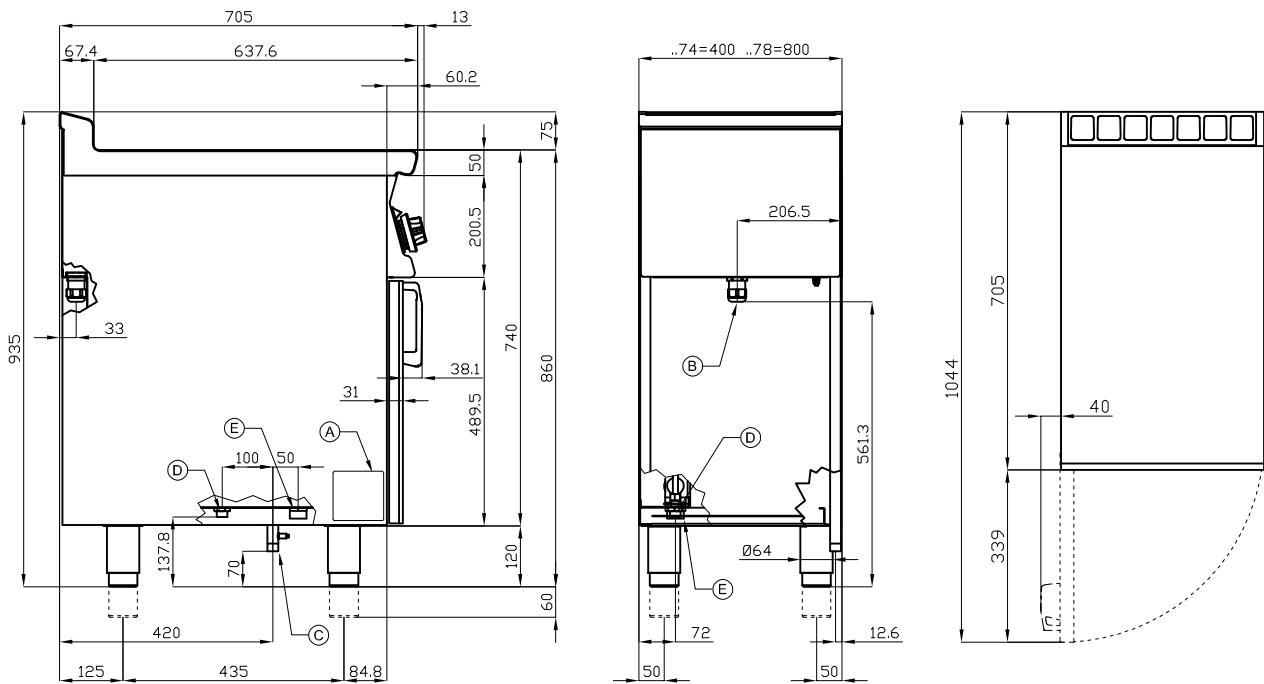
The pictures are purely representative. The manufacturer reserves the right to modify the technical data and models without previous notice.

BM-78ET

70 SUPERLOTUS
ELECTRIC BAIN MARIE



View 3D



A	Data plate		B	Electrical connection	
D	Cold water connection	ISO 7-1 1/2" M	E	Water drainage	ISO 7-1 1" M

MODEL: BM-78ET
 DIMENSIONS: cm. 80x 70,5x 90h
 ELECTRIC POWER: 4,2 KW
 VOLTAGE: 400V~2N / 230V~3 / 230V~
 FREQUENCY: 50/60 Hz



kg: 61
 m³: 0.709
 mm: 830x770x1110

BUY LOTUS BUY ITALY

The pictures are purely representative. The manufacturer reserves the right to modify the technical data and models without previous notice.



LOTUS S.P.A. Via Calmaor, 46
 31020 San Vendemiano(TV) - Italy
 Tel. + 39 0438 778020 / 778468
 Fax + 39 0438 778277
 www.lotuscookers.it - lotus@lotuscookers.it