

M-64

60 MAGICLOTUS STAND

Open Stand



Construction - Fabricated using CrNi 18/10 AISI 304 grade Stainless Steel
Scotch-Brite Satin polish Finish, rounded edges and chromed details.
Model - Professional Stand*, also for Induction and Worktop Units.
Fittings - Appliance is supplied with adjustable feet, *Doors not
Included, except for Induction Unit top.

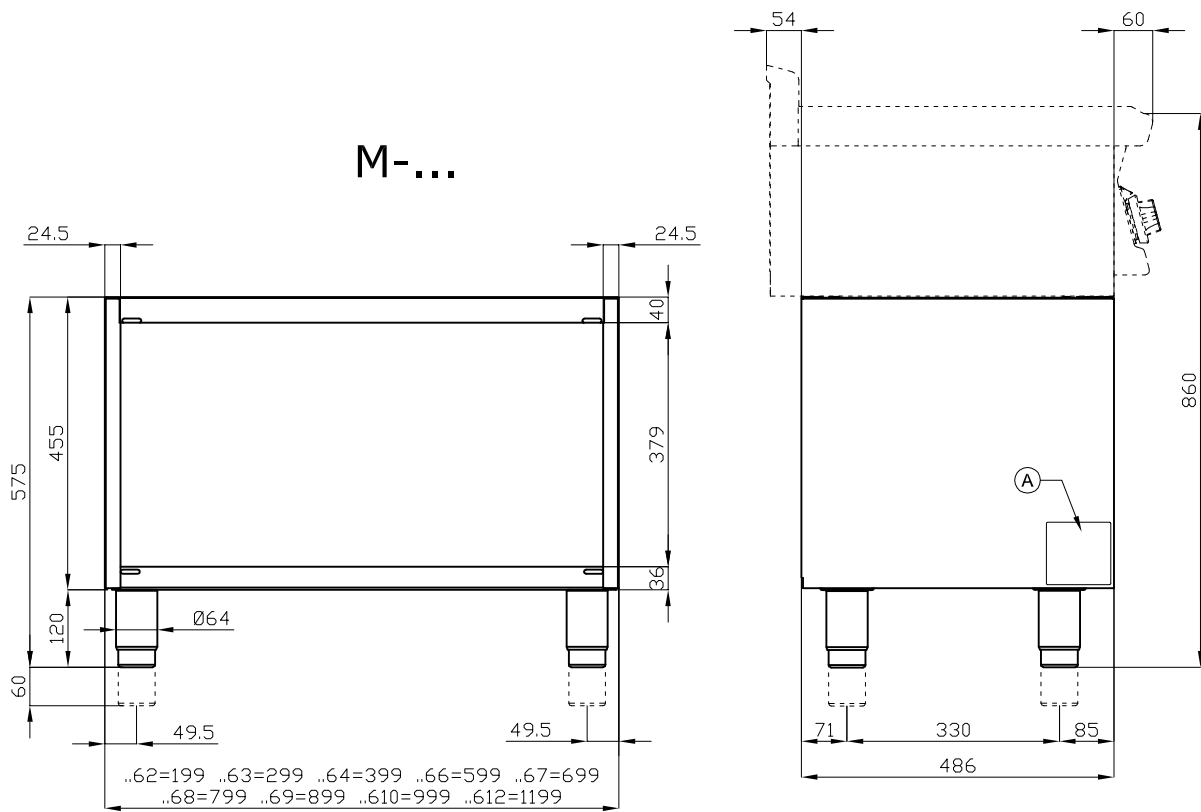


ITALIAN CULINARY ART

The pictures are purely representative. The manufacturer reserves the right to modify the technical data and models without previous notice.

M-64

60 MAGICLOTUS STAND



A	Data plate				
---	------------	--	--	--	--

MODEL: M-64
 DIMENSIONS: cm. 40x 48,5x 57h



kg: 15
 m³: 0.193
 mm: 430x690x650

BUY LOTUS BUY ITALY

The pictures are purely representative. The manufacturer reserves the right to modify the technical data and models without previous notice.



LOTUS S.P.A. Via Calmaor, 46
 31020 San Vendemiano (TV) - Italy
 Tel. + 39 0438 778020 / 778468
 Fax + 39 0438 778277
 www.lotuscookers.it - lotus@lotuscookers.it