

# EFL 3056

Chest freezer

INDUSTRY  
KITCHENS  
[www.industrykitchens.com.au](http://www.industrykitchens.com.au) 1800 611 058



# LIEBHERR

Chest Freezer

**LIEBHERR**

# EFL 3056

Chest freezer

LED



Gross/net capacity	266/254 litre
Ext. dimensions in mm (w/d/h)	1045/702/825
Int. dimensions in mm (w/d/h)	920/535/610
Energy consumption in 365 days/24 hours (kWh)	340/0.932
Ambient temperature range	-15°C to +43°C
Refrigerant	R 600a
Connection Rating	1.5 A / 150 W
Frequency/voltage	50 Hz / 220-240 V~
Cooling system	static
Defrosting	manual
Temperature range	-10°C to -24°C
Housing material/colour	steel/white
Lid material	Stainless steel
Liner Material	steel
Type of Control	analogue controls
Temperature display	external analogue
Interior light	LED
Number of baskets	4
Lock	fitted
Insulation	60 mm
Defrost water drain	yes
Gross/net weight	75/68 kg
EAN-Nr.	9550000033085

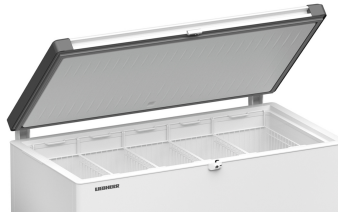
## Features

---



### Environmentally friendly refrigerants

Liebherr appliances are optimised for maximum energy efficiency and low operating costs. We only use the natural and environmentally-friendly refrigerants R 600a and R 290. When used with highly efficient compressors, these are extraordinarily efficient and, with their low global warming potential, also future-proof.



### Premium-quality lid seal

Uniform closure of the freezer is guaranteed thanks to the flexible lid seal. It prevents cold air escaping from the appliance and so enhances its energy efficiency. The seal is made from a highly resilient, long-lasting material and its performance is unaffected by temperature fluctuations. It is easy to clean and extremely hygienic.



### Efficient refrigeration system

Liebherr guarantees the outstanding quality of its refrigeration systems through expertise derived from decades of experience in the refrigeration technology sector, and through continuous research and development. By employing only premium-quality compressors, condensers, evaporators and other refrigeration components the energy consumption and operating costs of Liebherr appliances are significantly reduced.

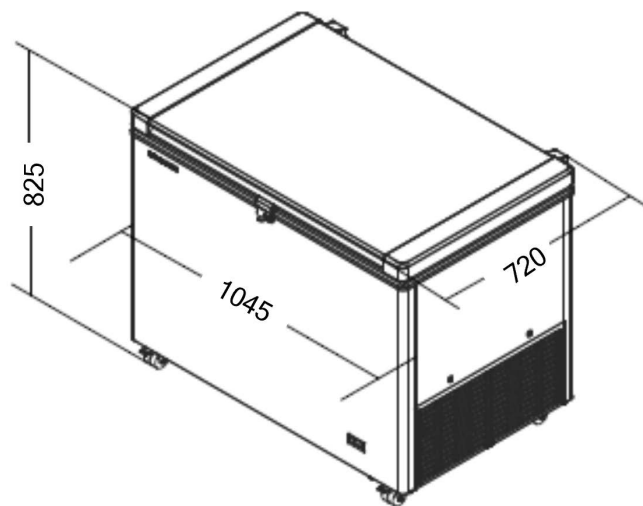
## Frost Protect

### FrostProtect

Reliable freshness wherever you need it: Thanks to FrostProtect, all Liebherr chest freezers have a particular temperature suitability and can be used at ambient temperatures between -15 °C and +43 °C.

# Technical drawing

---



---

Products and their details are staged for advertising purposes. Whilst every effort is made to ensure all specifications and information in this flyer are accurate, Liebherr reserves the right to make changes without notification. Where actual appliance measurements, specifications, and ratings are crucial, we recommend that the actual appliance installation instructions that accompany each appliance be checked. Liebherr will not be liable for any damage. (29.11.2023)

