

Commercial Ice Storage Bins

Professional Storage Solutions in Three Sizes



LB - 300S

LB - 500S

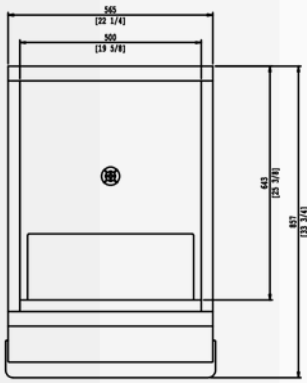
LB - 800S

Key Features:

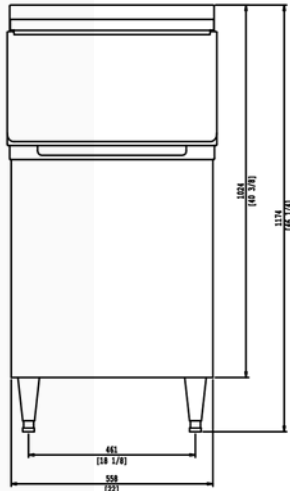
- Storage capacities from 118 kg to 295 kg
- Durable construction designed for commercial use
- Space-efficient designs: 560mm, 762mm, and 1120mm widths
- Ergonomic sloped top for easy ice access
- ETL Sanitation certified for food safety compliance
- Front-access storage compartment
- Standard height (1174 mm) for uniform counter integration

Model	Storage Capacity (kg)	External Dimensions W × D × H (mm)	Packing Dimensions W × D × H (mm)	Net Weight (kg)	Ship Weight (kg)
LB-300S	118	560 × 755 × 1174	610 × 820 × 1200	34	47
LB-500S	167	762 × 825 × 1174	860 × 920 × 1200	42	69
LB-800S	295	1120 × 826 × 1174	1270 × 920 × 1200	73	90

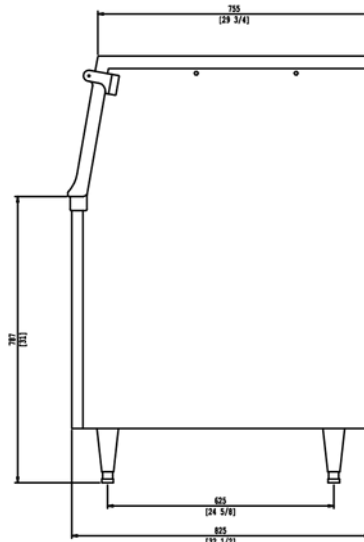
LB - 300S



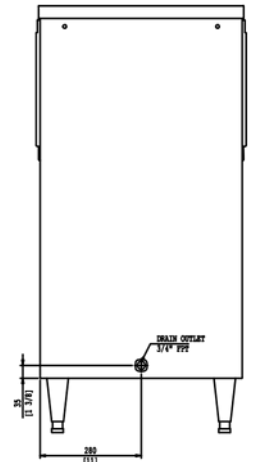
TOP



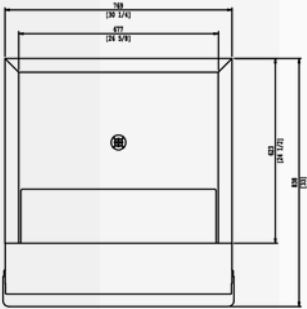
FRONT



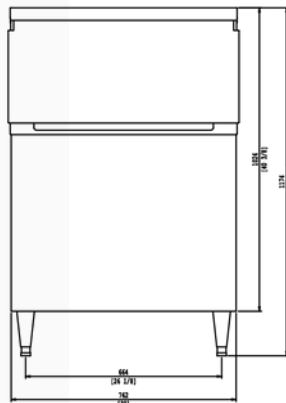
SIDE



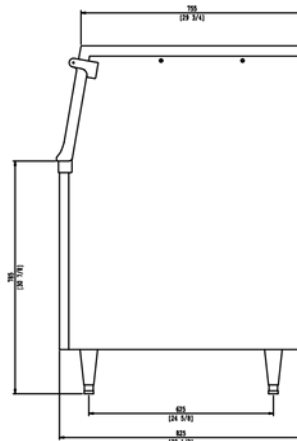
LB - 500S



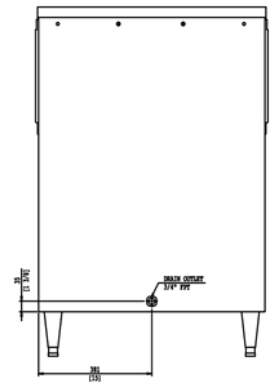
TOP



FRONT

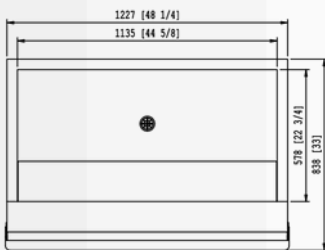


SIDE

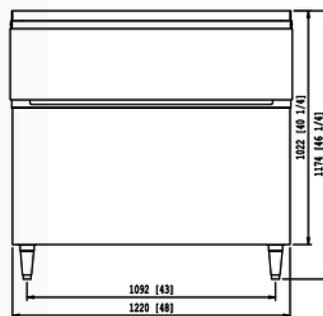


REAR

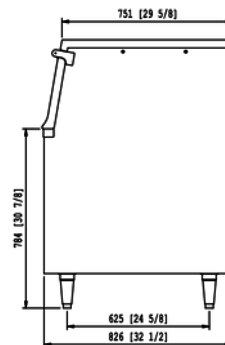
LB - 800S



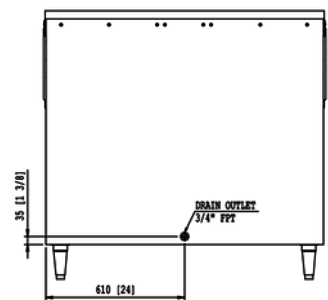
TOP



FRONT



SIDE



REAR