

Technical Specifications EC7-2B, EC7-4B, EC7-6B



EC7-4B

Induction Cooktops

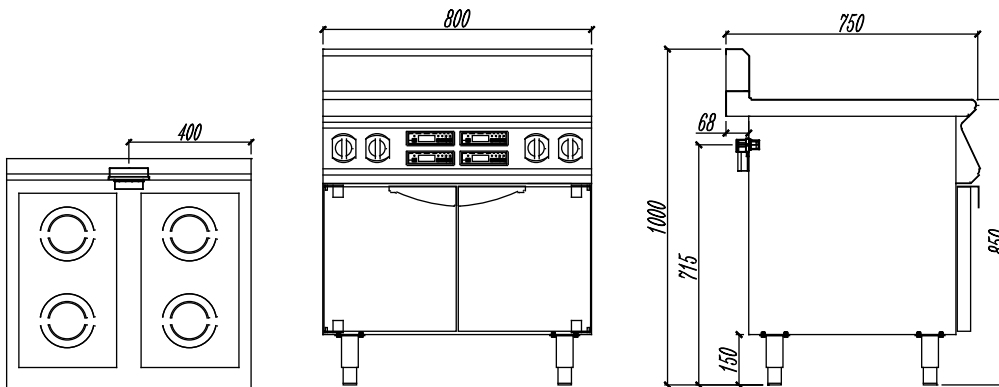
- 5kW rapid induction high-frequency coil technology
- Able to operate at low heat for a consistent simmer
- Standard with rotary knobs for easy heat adjustment
- 8 level heat settings with LED visual power display
- Individual zones programmable with shut-off timers
- 6mm microcrystalline seamless and impact-resistant glass
- Auto detection turns heating off when pan is removed
- Evenly dispersed heating across entire cooking surface
- AISI grade stainless used on all external panels
- High quality engineering and craftsmanship throughout
- Integrated closed cabinet base stand

Connections

- Electric - hard wired or fit cable and plug (not supplied)

INDUCTION

- Suitable for all types of pan/pot work
- Capable of boiling 2 litres of water in 3 minutes
- Rapidly heat or turn down for a consistent simmer
- Instant energy transfer into the base of the pan/pot
- Toughened 6mm thick microcrystalline ceramic glass
- User friendly with visual heat setting display and timer
- Lower ambient heat for a more comfortable kitchen
- 90%+ thermal efficiency results in lower energy costs
- Safer than gas with zero carbon emissions or combustion
- Durable, versatile, and easy to clean and service
- 2* Year Parts and Labour 'Platinum Warranty'



Model	Description	Dimensions	Power
EC7-2B	2 Zone Induction Cooktop	400w x 750d x 1000h	10kW, 13.9A, 3N, 50Hz
EC7-4B	4 Zone Induction Cooktop	800w x 750d x 1000h	20kW, 27.8A, 3N, 50Hz
EC7-6B	6 Zone Induction Cooktop	1200w x 750d x 1000h	30kW, 41.7A, 3N, 50Hz

