

## Technical Specifications for CS-9P, CS-6P3C

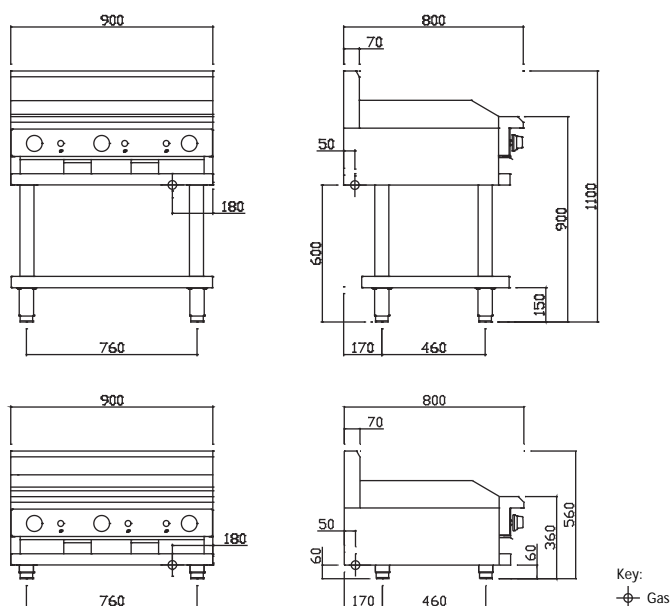


# INDUSTRY KITCHENS

www.industrykitchens.com.au 1800 611 058

## PROFESSIONAL

- 21mm thick mild steel griddle plate
- Chrome and ribbed plate finishes optional
- Hotplate and chargrill combinations
- Available freestanding or as a benchtop model
- Modular Professional series design
- 24 month 'Platinum Warranty'
- Easy to clean and service



### Griddle/Hotplate

- 18 mj burners with pilot, FFD and piezo ignition
- Variable flame control valve with low flame setting
- 21mm thick mild steel griddle plate
- Top weld sealed hotplate sections
- CS-9P plate: 890mm x 540mm; 0.48m<sup>2</sup> cooking area
- CS-6P3C plate: 590mm x 540mm; 0.32m<sup>2</sup> cooking area
- 2mm 304 stainless steel splash guards
- Griddle oil bin 1.2mm stainless steel

### Chargrill/Barbecue

- 33 mj burners with pilot, FFD and piezo ignition
- Variable flame control valve with low flame setting
- Two piece burner with cast-iron heat distributing hood
- Optional ceramic rocks for even heat and smokiness
- Optional cast iron ceramic rock tray
- Heavy duty cast iron 'diamond' grates 147mm x 540mm
- CS-6P3C bbq: 280mm x 520mm; 0.15m<sup>2</sup> cooking area
- 2mm 304 stainless steel splash guards
- Chargrill undertray 0.9mm stainless steel

### Overall Construction

- Heavy duty construction
- Welded 1.2mm 304 stainless steel front hob
- Front and side panels 0.9mm 304 stainless steel
- Splashback 1.2 mm 304 stainless steel
- Stainless steel legs with 55mm height adjustment range

### Dimensions

- 900mm x 800mm x 1100mm H
- 900mm x 800mm x 560mm H (benchtop)
- Working height 900mm
- Weight 115kg
- Packed dimensions 940mm x 860mm x 1260mm H
- Packed weight 140kg

### Connections

- Gas 3/4" BSP male
- 180mm from right, 50mm from rear, 600mm from floor
- Benchtop model gas connection: 60mm from bottom
- Supplied with gas regulator (specify Nat or LP on order)

### Cleaning & Servicing

- Easy access to all parts & components from front

### Options/Accessories

- Rear castors
- Joining caps
- Ribbed or chrome finish on hotplates
- RH and LH side shields
- Ceramic rocks (specify when ordering)
- Benchtop mount (specify when ordering)

	Model	Description	Nat Gas	LP Gas
	CS-9P	900 grill	54 mj	54 mj
	CS-6P3C	600 grill, 300 bbq	69 mj	69 mj