

## Technical Specifications for CS-2B



# INDUSTRY KITCHENS

[www.industrykitchens.com.au](http://www.industrykitchens.com.au) 1800 611 058

## PROFESSIONAL

- Nickel plated 28 mj open burners with FFD standard
- Available freestanding or as a benchtop model
- Modular Professional series design
- 24 month 'Platinum Warranty'
- Easy to clean and service

### Open Burners

- Nickel plated cast iron 28 mj dual-flame ring burners
- Flame failure device standard (pilots optional extra)
- Variable flame control valve with low flame setting
- Heavy duty cast iron trivets
- Pressed 0.7mm 304 stainless steel spillage bowls

### Overall Construction

- Heavy duty construction
- Welded 1.2mm 304 stainless steel front hob
- Front and side panels 0.9mm 304 stainless steel
- Splashback 1.2mm 304 stainless steel
- Stainless steel legs with 55mm height adjustment range
- Secondary catchment tray 0.9mm stainless steel

### Dimensions

- 300mm x 800mm x 1100mm H
- 300mm x 800mm x 560mm H (benchtop)
- Working height 900mm
- Weight 46kg
- Packed dimensions 640mm x 860mm x 1260mm H
- Packed weight 66kg

### Connections

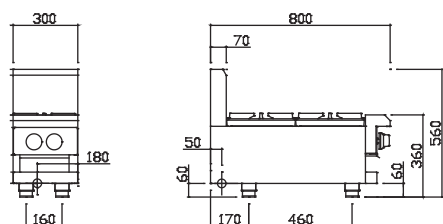
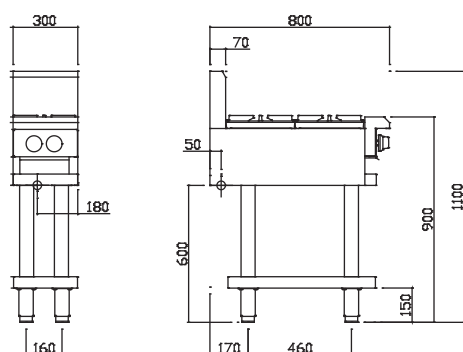
- Gas 3/4" BSP male
- 180mm from right, 50mm from rear, 600mm from floor
- Benchtop model gas connection: 60mm from bottom
- Supplied with gas regulator (specify Nat or LP on order)

### Cleaning & Servicing

- Removable burner hoods and spillage bowls
- Secondary undertray to catch any additional waste
- Easy access to all parts & components from front

### Options/Accessories

- Rear castors
- Pilots to open burners
- 300mm drop on plate (6mm mild steel) for open burners
- RH and LH side shields
- Benchtop mount (specify when ordering)



Key:  
⊕ Gas

Model	Description	Nat Gas	LP Gas
CS-2B	2 burner cooktop	56 mj	56 mj