

Pre-Rinse Unit

JET1200DLH

Stainless Steel 304 Hob Mounted Pre-Rinse Unit w/ Pot Filler and Mixer

6 Star 4.0 lpm
(Nominal Flow : 3.96 lpm)



Product Features



- Lead Free
- Soft Close Operation
- One cartridge used across the Gpure Jetflo range for easy maintenance
- The soft, easy-to-clean hose provides flexibility and ease-of-use
- Soft spring for easy operation
- Double Check Valve
- (SS316) PEX inlet hoses
- Durable Zero Lead Stainless Steel blade spray for convenient cleaning
- Recommended for commercial kitchens

Technical Information



Materials	Stainless Steel 304
Cartridge	Self closing / Stainless Steel
Cartridge Size	25mm
Inlet	15mm Female
Flow Style	Blade Spray / Laminar Flow
Working Pressures	150kPa-500kPa
Recommended Working Pressures	350kPa
Working Temperatures	5°C - 80°C
Finish / Colour	Brushed
Warranty	5 Years (Base Warranty)

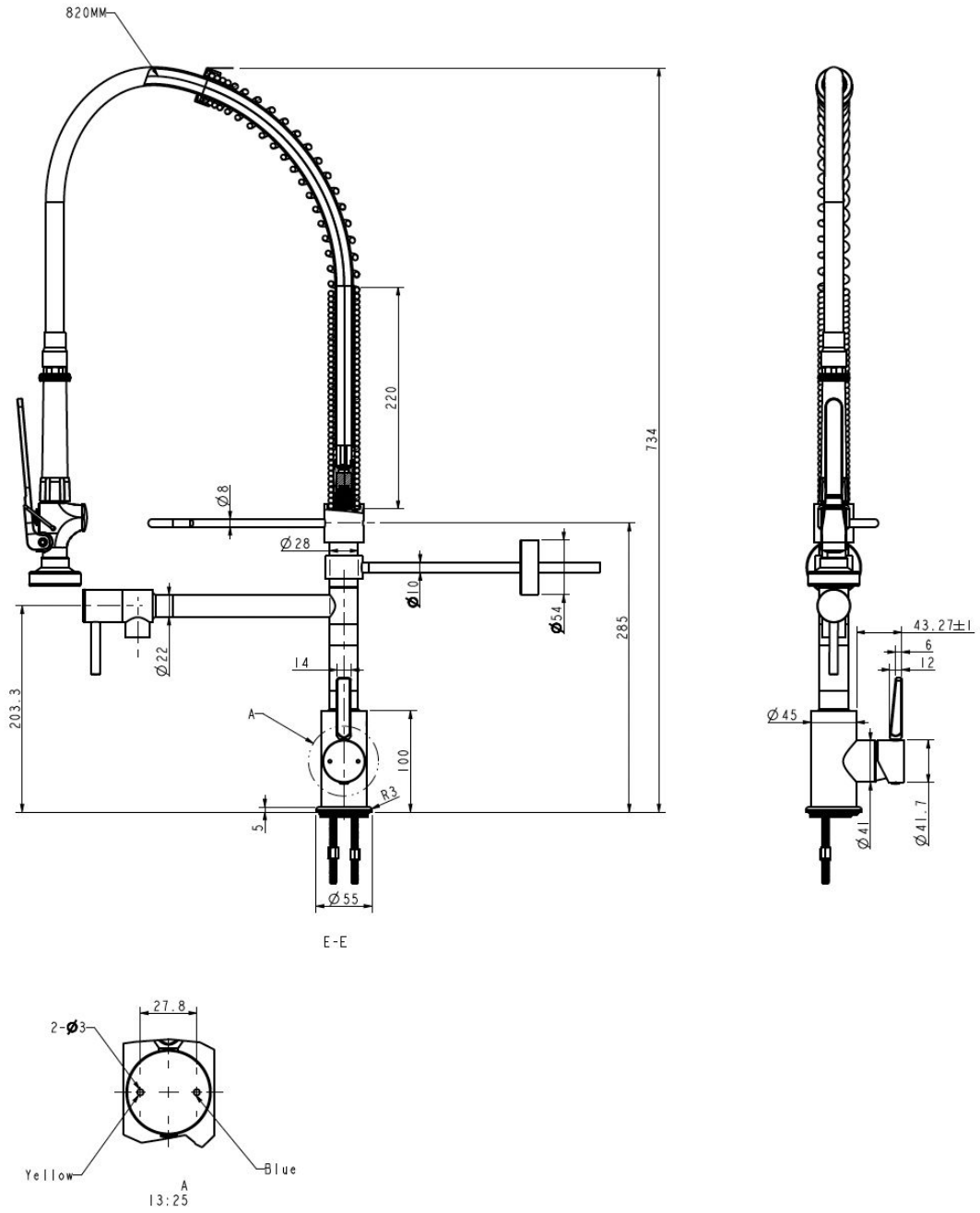
Product Certifications



Technical Drawings



All measurements are in millimetres and should be used as a guide only.



Disclaimer: Stainless Steel Grades 304 & 316 are manufactured with ZERO* Lead.