



SSM-180 / 280 / 420



Feature

- Dispense a variety of frozen beverage such as fruit juices, smoothies, coffees and tea slush beverage
- Each Large 3.17gal(12L) Tank for optimum cooling and serving capacity
- Durable metal gear motor for long life and reliability
- Fastest Freezing ability
- Perfect performance in tropical zone
- Unbreakable & Non-poisonous P.C
- Easy Maintenance & Cleaning
- Automatically shuts down refrigeration when product reaches desired thickness
- Spring operated dispensing handles close automatically for self service application
- Drip tray is easily removable for cleaning
- Low maintenance and easy operation for a variety of skill levels

Certification

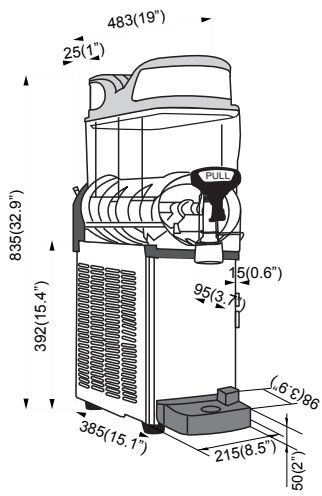


Specification

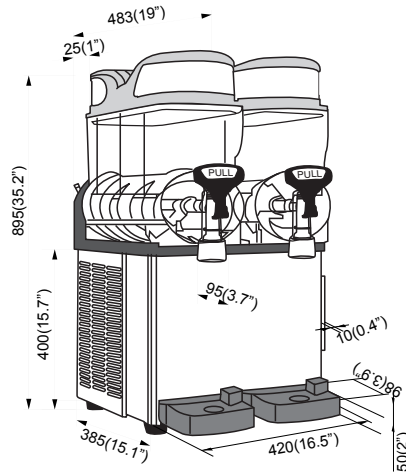
Model	Tank Capacity	Power Consumption	GEARED MOTOR	Compressor	Refrigerant	Electrical Option
SSM-180	12 liter (3.17 gallon)	320 W	67 W	0.35 HP	R-134A	208~230V/60Hz 220~240V/50Hz 115V/60Hz
SSM-280	12 liter (3.17 gallon) x 2EA	1,020 W	67 W x 2EA	0.85 HP	R-404A	208~230V/60Hz 220~240V/50Hz 115V/60Hz
SSM-420	12 liter (3.17 gallon) x 3EA	1,350 W	67 W x 3EA	0.85 HP(50Hz) 1.30 HP(60Hz)	R-404A	208~230V/60Hz 220~240V/50Hz 115V/60Hz

Model	Dimensions						Weight	
	Net			Gross			Net	Gross
	Width	Depth	Height	Width	Depth	Height		
SSM-180	8.5" (215 mm)	19" (483 mm)	32.9" (835 mm)	11.4" (290 mm)	21.3" (540 mm)	39.2" (995 mm)	71.7 lbs (32.5 kg)	83.8 lbs (38 kg)
SSM-280	16.5" (420 mm)	19" (483 mm)	35.2" (895 mm)	19.5" (495 mm)	21.6" (548 mm)	40.7" (1,035 mm)	124.6 lbs (56.5 kg)	137.8 lbs (62.5 kg)
SSM-420	24.5" (622 mm)	19" (483 mm)	35.2" (895 mm)	26.8" (680 mm)	21.6" (548 mm)	40.7" (1,035 mm)	174 lbs (79 kg)	189.6 lbs (86 kg)

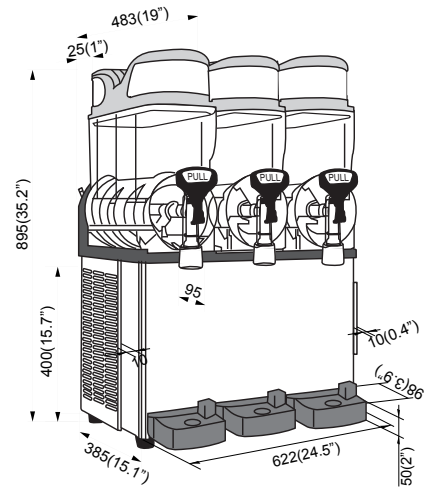
Dimension – Unit : mm (inch)



SSM-180



SSM-280



SSM-420



Product Line



SSM-180



SSM-280



SSM-420

※ Design and Specification are subject to change without notice.