

PRODUCT ADVANTAGES

- **Optional CUTLERY PREMIUM:** The innovative system ensures clean and shiny cutlery without polishing. The program is selected automatically by the machine.
- **VISIOTRONIC-TOUCH control:** colour touchscreen (displays text and graphic) in conjunction with single-button control and remaining cycle time indication
- **Self-cleaning wash system:** The combined wash and rinse system features innovative self-cleaning of the wash arms with every cycle. This saves time and ensures a perfect cleaning result
- **SmartConnect app:** controlling your warewash operation with smart technology: status and messages, usage and operating costs, hygiene and service
- **SENSO-ACTIVE resource management:** constantly measures the quality of the wash water and keeps the amount of rinsing needed in each rinse cycle to the minimum
- **Optional 2IN1 double rack system:** two racks can be washed in a single wash cycle. Thanks to the optimum use of the entire wash chamber the performance of the machine can be doubled
- **CLIP-IN wash and rinse system:** easy removal without any tools
- **Intelligent data documentation:** automatic recording of important operational data and consumptions and indication on the display
- **USB-interface:** comfortable download of operational data in form of a protocol via USB
- **GENIUS-X² fine filter system:** advanced filter system with pre-wash function reduces detergent consumption up to 35 %
- **Interlocked strainer:** prevents operation without tank strainer
- **Optional refill signal:** monitors contents of external as well as integrated chemical containers
- **Hygiene programme (in combination with Hygiene-Tab INTENSIV)** for removal of calcium carbonate and other deposits from wash chamber
- **Thermolabel 71 °C:** default temperatures setting acc. European DIN can be switched by operator to a higher thermolabel setting
- **WATERMARK APPROVED**



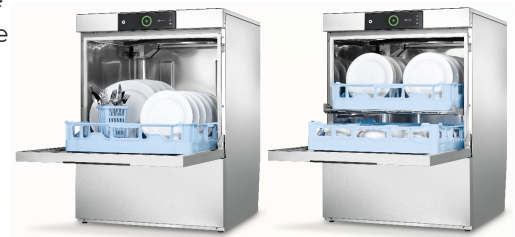
Shown with optional CUTLERY PREMIUM

TECHNICAL DATA

Cycle times*	1. 90sec 2. 180sec 3. 360 sec & Special Cycles
Water consumption	1.8 l/rack
Tank capacity	10.6 l
Tank heating	0.8 kW
Power supply	240 / 50 / 1 15A (415 / 50 / 3N)
Booster loading	
Standard	2.0 kW 15 A
Alternative	6.1 kW 10 A (3phs)
Total loading	
Standard	2.6 kW 15 A
Alternative	7.7 kW 15 A (3phs)
Wash pump	0.5 kW 350 l/min
Rack size	500 x 500
Loading height	425 mm
Noise level	59 dB (A)
Weight (gross / net)	70 / 60 kg

INDUSTRY KITCHENS

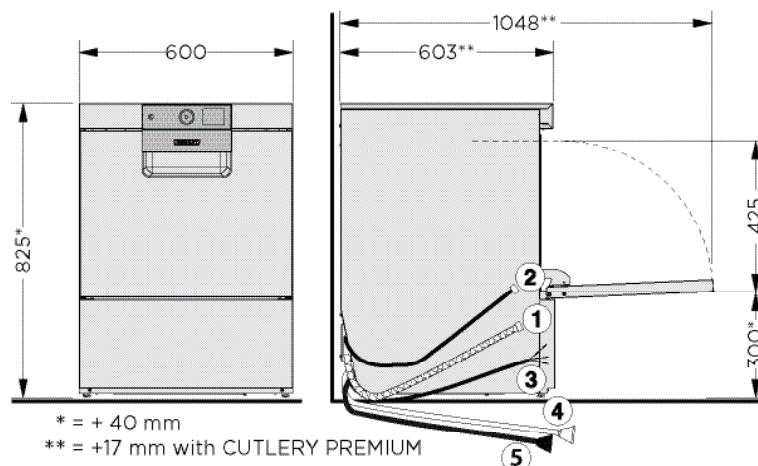
www.industrykitchens.com.au 1800 611 058



* Thermostop guarantees required temperatures with cold water and / or 240 V connection, the actual cycle times extend accordingly.

For machine protection the water hardness should not exceed 3°dH, if higher we recommend using an integrated water softener or an external water softener of the product line HYDROLINE PROTECT.

DIMENSIONAL DRAWING



CONNECTIONS

① Drain hose	2,000 mm ID20/OD25
Reverse Osmosis unit (RO-S)	Independent gravity waste to tundish
② Supply hose	2,000 mm R 3/4"
Required flow rate	5 l/min
Flow pressure	0.5 (0.8 with softener)- 6 bar
Max. supply water temperature	60 °C 35 °C With RO-S
③ Power cord	2,000 mm
Supply hose for	
④ Detergent	2,500 mm
⑤ Rinse aid	2,500 mm