

Automatic rack type dishwasher, capacity up to 150 racks, 2.700 plates or 5.400 glasses per hour.

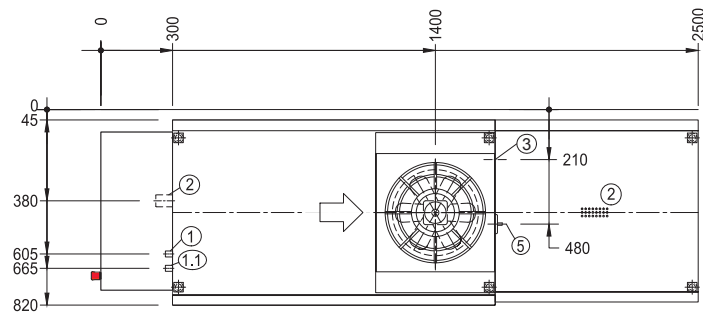
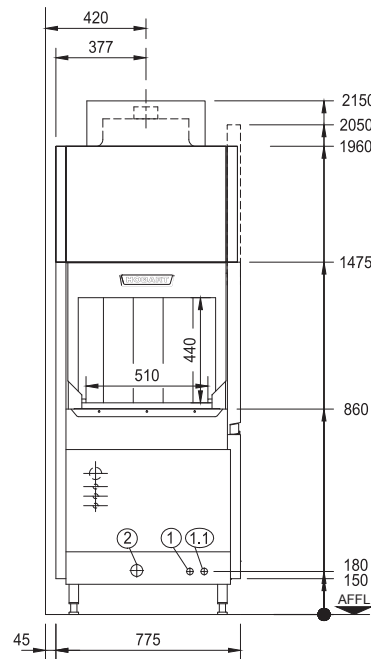
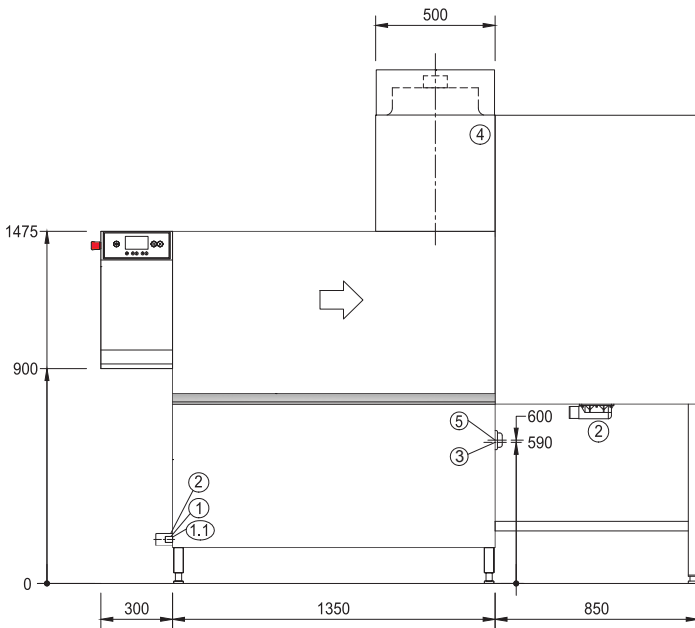
Product Advantages:

- INFOTRONIC clear text colour touch screen control
- 1.8kW stainless steel main wash pump
- C20 heat recovery system to minimise energy consumption and operating costs
- Low 150L per hour triple rinse with rinse pump to guarantee rinse volume
- Autotimer for efficient time saving operation
- 100% hygiene deep drawn stainless steel wash tank with stainless steel tank strainer system
- Door insulation included for improved work environment & lower operating costs
- Efficient 3-speed operation (80/95/150 racks/hr)
- Includes emergency stop and main switch
- Wash-rinse actuator to ensure economic operation
- New washarms without end caps



Connections mirrorwise for R/L working direction R/L

Machine shown with optional CDS-90-15 dryer.



1	fresh water connection, soft	R 3/4" 0 - 3°d, (0,5mmol/l); max. 150-170 l/h, demineralized water blended to have appr. 80 µs/cm
1.1	hot water connection for separate tank fill (option)	R 3/4" 0 - 3°d; (1,4mmol/l)
2	drain	DN 50
3	power supply	without dryer - 26.0kW with dryer - 31.1kW
4	Ventilation / vent. condition	appr. 280 m³/h, 25-28°C, 2,7 g/m³ humidity
5	main switch	

Table height 900mm
Machine height +/- 25mm feet adjustable