

# Commercial Tapware



# GUARDIAN<sup>®</sup> TAPWARE

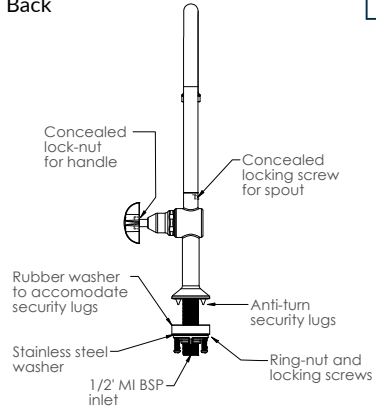


## School Pattern Type 16 Laboratory Tap with Tube Nozzle

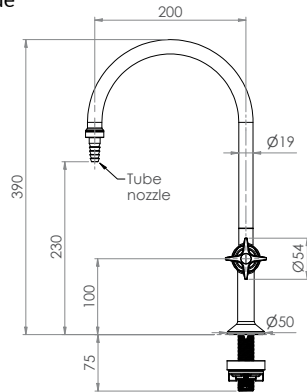
### T-3MSS-LABFG16-TN

- Variable Fixed Spout Position  
*(Handle Can Be Positioned Left or Right)*
- Single ½" MI BSP Inlet
- Vandal Resistant School Pattern Handle
- Jumper Valve
- WELS 5\* 6LPM
- 500kPa Maximum Working Pressure
- 304 Grade S/S
- Anti-Turn Security Lugs
- EFSG Compliant

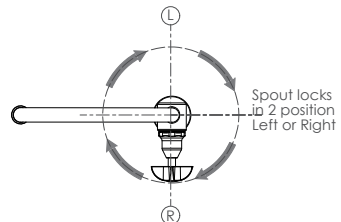
Back



Side



Top



\*Exclusions apply

[3monkeez.com.au](http://3monkeez.com.au)