

Commercial Tapware



GUARDIAN[®] TAPWARE

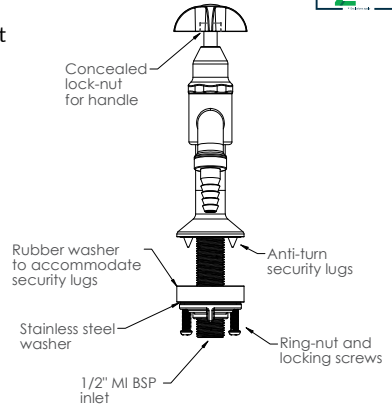
School Pattern Type 26 Laboratory Tap with Tube Nozzle

T-3MSS-LAB26-TN

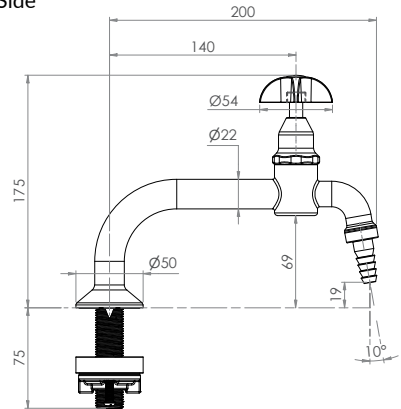
- Fixed Spout Position
- Single 1/2" MI BSP Inlet
- Vandal Resistant School Pattern Handle
- Jumper Valve
- WELS 5* 6LPM
- 500kPa Maximum Working Pressure
- 304 Grade S/S
- Anti-Turn Security Lugs
- EFSG Compliant



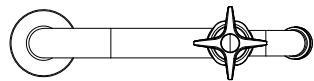
Front



Side



Top



*Exclusions apply

3monkeez.com.au