

Commercial Tapware



CLEANJET[®]
STAINLESS STEEL

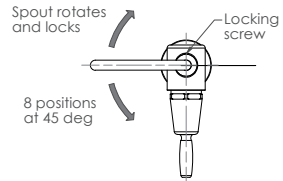
45 Degree Lever Handle Bottle Filler

T-3MSS-BF45L

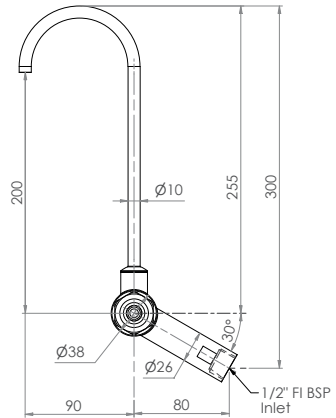
- Spout Locks Into 8 Different Positions
- Full S/S Construction
- WELS 6 Star 3LPM
- Working Pressure Range 150kPa-500kPa
- Maximum Operating Temperature 40 Degrees



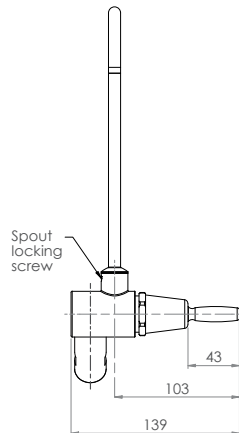
Top



Side



Front



*Exclusions apply

3monkeez.com.au