

Commercial Tapware



GUARDIAN[®] TAPWARE



Wall Stops and Elbow with Spout

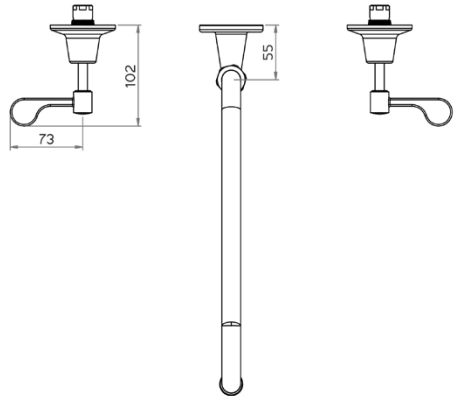
T-3MCW06 – 6" spout

T-3MCW08 – 8" spout

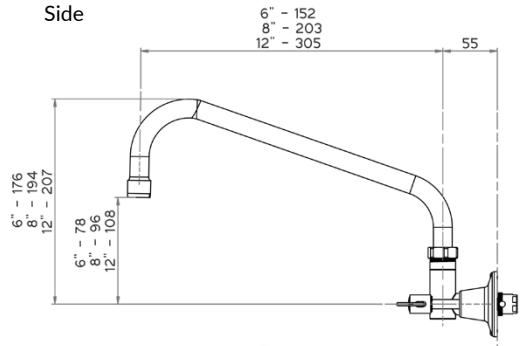
T-3MCW12 – 12" spout

- Stainless steel spout and wall elbow
- Wall elbow and lever handle wall top assemblies, ¼ turn ceramic disc. Stainless steel outer with brass internals to suit concealed breach
- Available with a 6", 8" or 12" spout – 3 star 8LPM
- Working pressure range 150kPa-500kPa
- Maximum operating temperature 80 degrees

Top



Side



Front

