

# Accessories & Spare Parts



# GUARDIAN<sup>®</sup> TAPWARE

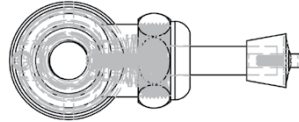


## Single Bench Mount Body

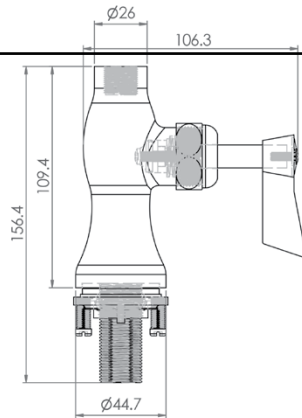
### T-3M63300

- Single bench mount with 1/2" MI BSP inlet
- 3/8" FI BSP Riser Connection
- 1/2 turn rising spindle

Top



Front



Side

