

FFAR 1 - 3 Series

Sub Zero Flake Ice Machines

380-415v 3 Phase 50Hz



FF3AR

The FFAR Series Subzero Flake Ice Machines are designed using advanced technology, with highly economical energy consumption, excellent performance and ease of operation.

The FFAR Series uses advanced computer technology to control the ice making process. The PC board controls and monitors the functionality of the ice machine, allowing for easy diagnosis of any problems that may occur.

Ice is produced at -9 degrees, from a static vertical evaporator, completely sealed, with minimum maintenance required for the lifetime of the machine. The complete evaporator, base and control panel are made from high quality, 304 Stainless Steel.

The FFAR Series Flake Ice Machines can be fitted on a wide range of storage options depending on the customer's requirements.

The FFAR Series is extremely versatile and is used in a wide variety of applications, including: Seafood, Meat Processing, Poultry, Supermarkets and Mining.

Warranty: 3 years parts & labour, and 5 years on evaporator.

ACCESSORIES

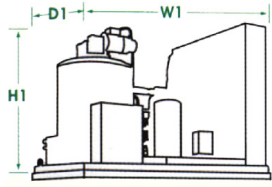
WATER FILTERS	
SYSTEM	REPLACEMENT
CD40B	CD2020B CD250B

ICE PRODUCTION

Model Number	Ice Production Per 24hrs
FF1AR	1T
FF1.5AR	1.5T
FF2AR	2T
FF2.5AR	2.5T
FF3AR	3T



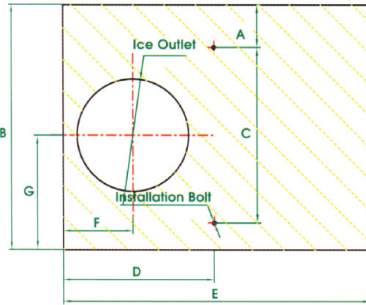
OUTSIDE DIMENSIONS



Model	Ice Machine Dimensions W1	Ice Machine Dimensions D1	Ice Machine Dimensions H1	Condenser Dimensions W	Condenser Dimensions D	Condenser Dimensions H
FF1AR*	1320 mm	1050 mm	890 mm	1040 mm	200 mm	620 mm
FF1.5AR	1320 mm	1050 mm	965 mm	1040 mm	200 mm	620 mm
FF2AR	1320 mm	1050 mm	1130 mm	1040 mm	180 mm	1020 mm
FF2.5AR	1600 mm	1050 mm	1210 mm	1040 mm	210 mm	1020 mm
FF3AR	1600 mm	1050 mm	1290 mm	1040 mm	210 mm	1120 mm

* FF1AR comes with stainless steel external covers.
Optional stainless steel external covers available for other models

ICE OUTLET DIMENSIONS



Model	A	B	C	D	E	F	G	Ice Outlet Internal Dia.
FF1AR	150 mm	1050 mm	750 ± 1 mm	650 mm	1320 mm	300 mm	490 mm	Ø 480
FF1.5AR	150 mm	1050 mm	750 ± 1 mm	650 mm	1320 mm	300 mm	490 mm	Ø 480
FF2AR	150 mm	1050 mm	750 ± 1 mm	650 mm	1320 mm	300 mm	490 mm	Ø 480
FF2.5AR	150 mm	1050 mm	750 ± 1 mm	614 mm	1600 mm	295 mm	490 mm	Ø 480
FF3AR	150 mm	1050 mm	750 ± 1 mm	614 mm	1600 mm	295 mm	490 mm	Ø 480

TECHNICAL PARAMETER

Model	Condenser	Power	Current Draw	Water Consumption	Inlet Water Connection	Drainpipe External Diameter	Net Weight (kg)
FF1AR	Air Cooled	4 kW	7.9 A	42L/hr	3/4" GAS	Ø 21 mm	275
FF1.5AR	Air Cooled	5.1 kW	9.8 A	63L/hr	3/4" GAS	Ø 21 mm	300
FF2AR	Air Cooled	6.5 kW	12.2 A	85L/hr	3/4" GAS	Ø 21 mm	390
FF2.5AR	Air Cooled	9.6 kW	17.5 A	105L/hr	3/4" GAS	Ø 21 mm	410
FF3AR	Air Cooled	11 kW	19.8 A	125L/hr	3/4" GAS	Ø 21 mm	530

Notes:

- Refrigerant Type: R404A
- Standard Conditions: Ambient Air Temperature 25°C, Water Temperature 16°C
- Electrical Voltage: 380V/50Hz / 3N
- Supply Water Pressure: 1.5 BAR - 5 BAR

