



**Goldstein**

# 800 SERIES RANGES GAS COOKTOPS

PFB36-X, PFB12G4-X, PFB24G2-X,  
PFB12Q4-X, PFB24Q2-X

**INDUSTRY  
KITCHENS**  
www.industrykitchens.com.au 1800 611 058



## Standard features and benefits

- High performance, even heat 33 MJ open burners
- Fully welded surrounds for griddle and chargrill option
- Heavy duty welded stainless steel body for rigidity and durability
- The flexible modular cooktop design allows for various combinations of burners, griddle plates, and chargrill options (305, 610, 914 and 1219mm)
- Constant pilot flame, maximises operating and energy efficiency
- Pilot flame failure on open burners
- Stainless steel fascia and sides, spill zone and drip trays for ease of cleaning
- Large, heat resistant reinforced control knob with easy to view settings and high to low flame control
- Griddle and chargrill section are on left hand side
- Adjustable legs 140-170mm
- Easy to service



### Burners

- Removable, high performance, even heat 33 MJ cooktop burners for peak productivity
- 40% of the flame ports are in the centre cross of the burner
- Cast iron star trivet

### Griddle plate

- 20mm thick mild steel griddle plate
- 20 MJ griddle burners per every 305mm section
- Piezo ignition

### Chargrill

- Heavy duty cast iron reversible grates provide greater control when cooking, energy efficiency, and offer two char pattern options
- 2 levelling options - flat or gradient
- 2x 20 MJ inline radiant burners per every 305mm section
- Front grease trough, generous chute and catcher
- Ceramic rocks option available to increase heat retention and flavour

### Other options

- Bench mounted
- Stand with undershelf



Cert. No.  
AGA 7732



**MIDDLEBY GOLDSTEIN**

1800 013 123 | +61 2 9604 7333  
sales@middleby.com.au  
middleby.com.au

**VIC - TAS** - 47 Stubbs Street, Kensington VIC 3031  
**QLD** - U12, 210 Queensport Rd Nth, Murarrie QLD 4172  
**WA** - U2, 9 Meares Way, Canning Vale WA 6155

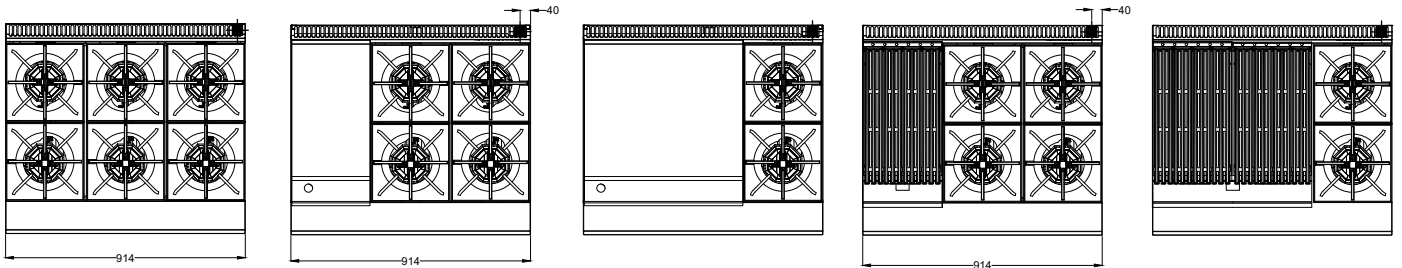
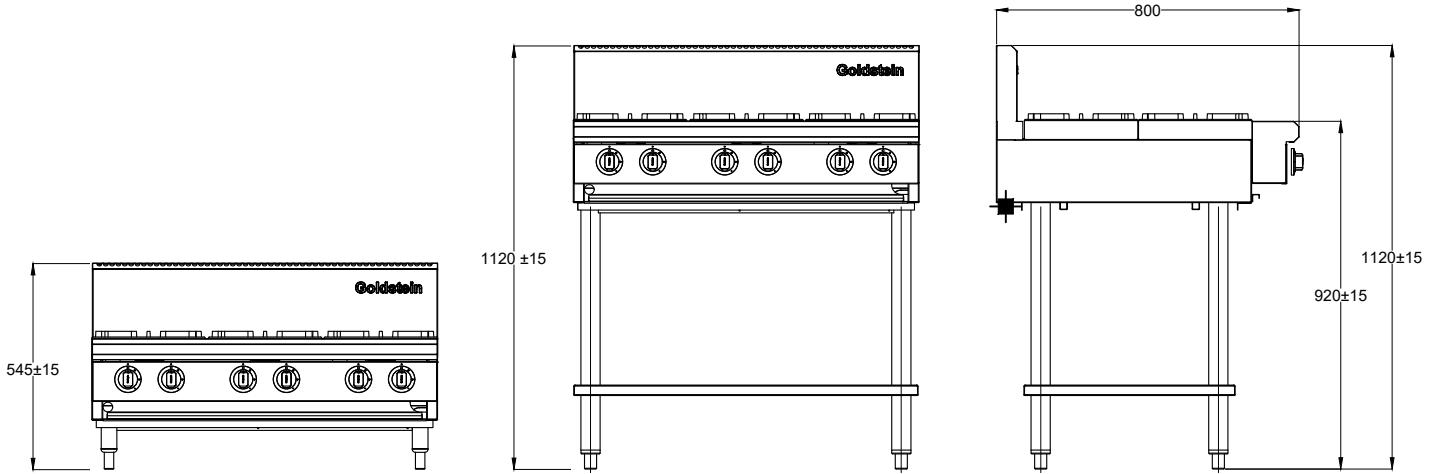
**HEAD OFFICE  
AND MANUFACTURING PLANT**  
211-217 Woodpark Road, Smithfield NSW 2164

v1\_2024



PFB36-X, PFB12G4-X, PFB24G2-X, PFB12Q4-X, PFB24Q2-X

# 800 SERIES GAS COOKTOPS



PFB36-X

PFB12G4-X

PFB24G2-X

PFB12Q4-X

PFB24Q2-X

3/4" BSP Gas Connection

## SPECIFICATIONS

<b>Dimensions (WxDxH)</b>	bench mounted	914 x 800 x 545 mm
	on stand	914 x 800 x 1120 mm
<b>Griddle size</b>	<b>PFB12G4-X</b>	305 x 520 x 20 mm
	<b>PFB24G2-X</b>	610 x 520 x 20 mm
<b>Chargrill size</b>	<b>PFB12Q4-X</b>	305 x 510 mm
	<b>PFB24Q2-X</b>	610 x 510 mm

Available in Natural and LP gas

<b>Gas connection</b>	3/4" BSPM
<b>PFB36-X</b>	198/198 MJ
<b>PFB12G4-X</b>	152/152 MJ
<b>PFB24G2-X</b>	106/106 MJ
<b>PFB12Q4-X</b>	172/170 MJ
<b>PFB24Q2-X</b>	146/142 MJ
<b>Packed dimensions without stand</b>	980 x 900 x 870 mm

## INSTALLATION CLEARANCES (minimum)

<b>Combustible Material</b>	<b>Sides</b>	250* mm	<b>Non-combustible Material</b>	<b>Sides</b>	0 mm
	<b>Back</b>	50 mm		<b>Back</b>	0 mm

Note: \* If adjacent surface is of combustible material and is 100mm below the cooking surface, then only 50mm clearance is required.

Please note, due to ongoing product development and improvement, we reserve the right to change product design and specification at any time without notice.



1800 013 123 | +61 2 9604 7333  
sales@middleby.com.au  
middleby.com.au

**VIC - TAS** - 47 Stubbs Street, Kensington VIC 3031  
**QLD** - U12, 210 Queensport Rd Nth, Murarrie QLD 4172  
**WA** - U2, 9 Meares Way, Canning Vale WA 6155

**HEAD OFFICE AND MANUFACTURING PLANT**  
211-217 Woodpark Road, Smithfield NSW 2164

v1\_2024