



Goldstein

800 SERIES RANGES GAS COOKTOPS

PFB24-X, PFB12G2-X, PFB12Q2-X



Standard features and benefits

- High performance, even heat 33 MJ open burners
- Fully welded surrounds for griddle and chargrill option
- Heavy duty welded stainless steel body for rigidity and durability
- The flexible modular cooktop design allows for various combinations of burners, griddle plates, and chargrill options (305, 610, 914 and 1219mm)
- Constant pilot flame, maximises operating and energy efficiency
- Pilot flame failure on open burners
- Stainless steel fascia and sides, spill zone and drip trays for ease of cleaning
- Large, heat resistant reinforced control knob with easy to view settings and high to low flame control
- Griddle and chargrill section are on left hand side
- Adjustable legs
- Easy to service

Burners

- Removable, high performance, even heat 33 MJ cooktop burners for peak productivity
- 40% of the flame ports are in the centre cross of the burner
- Cast iron star trivet

Griddle plate

- 20mm thick mild steel griddle plate
- 20 MJ griddle burners per every 305mm section
- Piezo ignition

Chargrill

- Heavy duty cast iron reversible grates provide greater control when cooking, energy efficiency, and offer two char pattern options
- 2 levelling options - flat or gradient
- 2x 20 MJ inline radiant burners per every 305mm section
- Front grease trough, generous chute and catcher
- Ceramic rocks to increase heat retention and flavour

Other options

- Bench mounted
- Stand with undershelf



**INDUSTRY
KITCHENS**

www.industrykitchens.com.au 1800 611 058



Cert. No.
AGA 7732



MIDDLEBY GOLDSTEIN

1800 013 123 | +61 2 9604 7333
sales@middleby.com.au
middleby.com.au

VIC - TAS - 47 Stubbs Street, Kensington VIC 3031
QLD - U12, 210 Queensport Rd Nth, Murarrie QLD 4172
WA - U2, 9 Meares Way, Canning Vale WA 6155

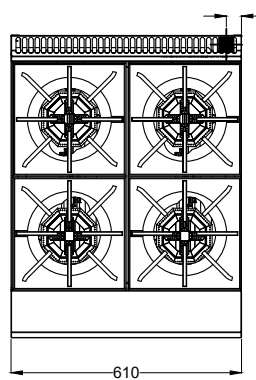
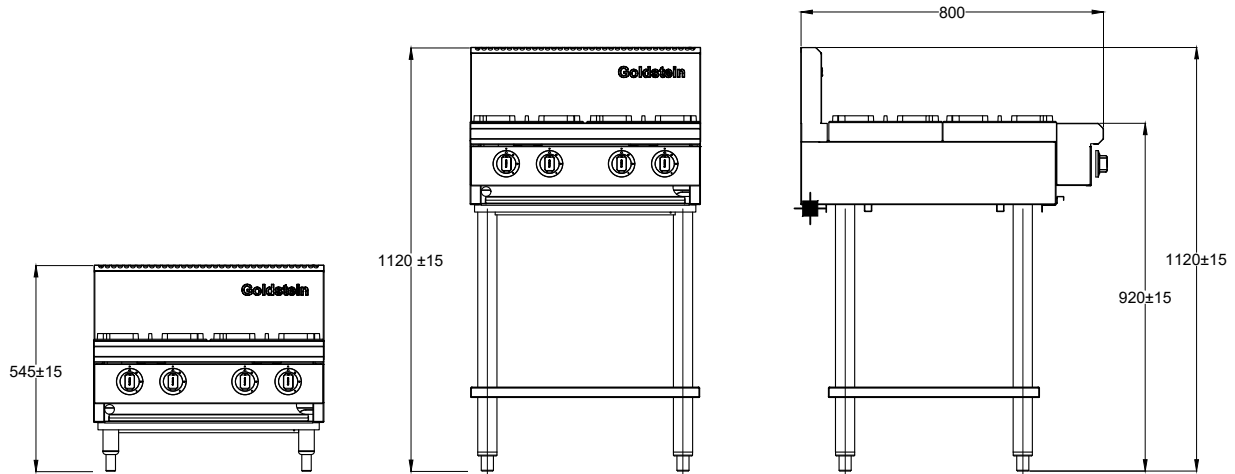
**HEAD OFFICE
AND MANUFACTURING PLANT**
211-217 Woodpark Road, Smithfield NSW 2164

v1_2025

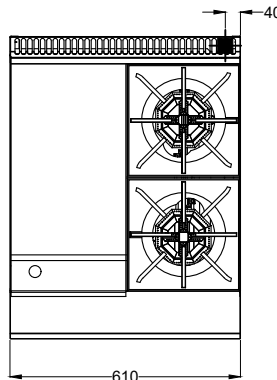


PFB24-X, PFB12G2-X, PFB12Q2-X

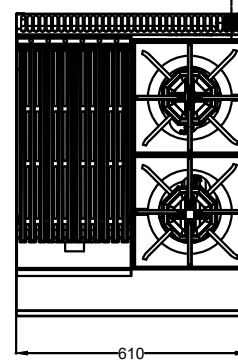
800 SERIES GAS COOKTOPS



PFB24-X



PFB12G2-X



PFB12Q2-X

3/4" BSP Gas Connection

SPECIFICATIONS

Dimensions (WxDxH)	bench mounted	610 x 800 x 545 mm
	on stand	610 x 800 x 1120 mm
Griddle size	PFB12G2-X	305 x 520 x 20 mm
Chargrill size	PFB12Q2-X	305 x 510 mm

Gas connection	3/4" BSPM
Rating NG/LPG	PFB24-X 132/132 MJ
	PFB12G2-X 86/86 MJ
	PFB12Q2-X 106/104 MJ
Packed dimensions without stand	720 x 920 x 870 mm

Available in Natural and LP gas

INSTALLATION CLEARANCES (minimum)

Combustible Material	Sides	250* mm
	Back	50 mm

Non-combustible Material	Sides	0 mm
	Back	0 mm

Note: * If adjacent surface is of combustible material and is 100mm below the cooking surface, then only 50mm clearance is required.

Please note, due to ongoing product development and improvement, we reserve the right to change product design and specification at any time without notice.



1800 013 123 | +61 2 9604 7333
sales@middleby.com.au
middleby.com.au

VIC - TAS - 47 Stubbs Street, Kensington VIC 3031
QLD - U12, 210 Queensport Rd Nth, Murarrie QLD 4172
WA - U2, 9 Meares Way, Canning Vale WA 6155

HEAD OFFICE AND MANUFACTURING PLANT
211-217 Woodpark Road, Smithfield NSW 2164

v1_2025