



Goldstein

800 SERIES RANGES GAS COOKTOPS

PFB12-X



Standard features and benefits

- High performance, even heat 33 MJ open burners
- Heavy duty welded stainless steel body for rigidity and durability
- Constant pilot flame, maximises operating and energy efficiency
- Pilot flame failure on open burners
- Stainless steel fascia and sides, spill zone and drip trays for ease of cleaning
- Large, heat resistant reinforced control knob with easy to view settings and high to low flame control
- Adjustable legs
- Easy to service

Burners

- Removable, high performance, even heat 33 MJ cooktop burners for peak productivity
- 40% of the flame ports are in the centre cross of the burner
- Cast iron star trivet

Other options

- Bench mounted
- Stand with undershelf



**INDUSTRY
KITCHENS**

www.industrykitchens.com.au 1800 611 058



Cert. No.
AGA 7732



MIDDLEBY GOLDSTEIN

1800 013 123 | +61 2 9604 7333
sales@middleby.com.au
middleby.com.au

VIC - TAS - 47 Stubbs Street, Kensington VIC 3031
QLD - U12, 210 Queensport Rd Nth, Murarrie QLD 4172
WA - U2, 9 Meares Way, Canning Vale WA 6155

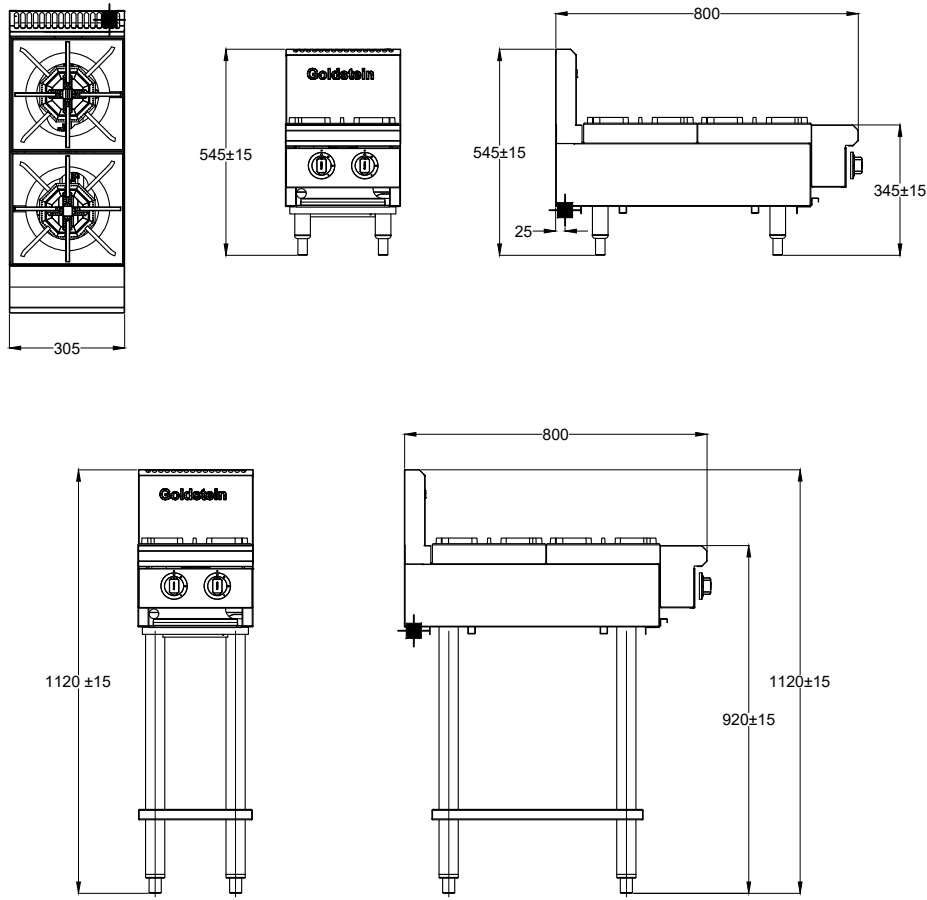
**HEAD OFFICE
AND MANUFACTURING PLANT**
211-217 Woodpark Road, Smithfield NSW 2164

v1_2024



PFB12-X

800 SERIES GAS COOKTOPS



3/4" BSP Gas Connection

SPECIFICATIONS

Dimensions (WxDxH)	bench mounted	305 x 800 x 545 mm
	on stand	305 x 800 x 1120 mm
Burners		2

Gas connection	3/4" BSPM
Rating NG/LPG	66/66 MJ
Packed dimensions	530 x 900 x 870 mm

Available in Natural and LP gas

INSTALLATION CLEARANCES (minimum)

Combustible Material	Sides	250* mm	Non-combustible Material	Sides	0 mm
	Back	50 mm		Back	0 mm

Note: * If adjacent surface is of combustible material and is 100mm below the cooking surface, then only 50mm clearance is required.

Please note, due to ongoing product development and improvement, we reserve the right to change product design and specification at any time without notice.



1800 013 123 | +61 2 9604 7333
sales@middleby.com.au
middleby.com.au

VIC - TAS - 47 Stubbs Street, Kensington VIC 3031
QLD - U12, 210 Queensport Rd Nth, Murarrie QLD 4172
WA - U2, 9 Meares Way, Canning Vale WA 6155

HEAD OFFICE AND MANUFACTURING PLANT
211-217 Woodpark Road, Smithfield NSW 2164

v1_2024