



**Goldstein**

# 800 SERIES GAS GRIDDLE PLATES

GPGDB48-X



## Standard features and benefits

- Heavy duty welded stainless steel body for rigidity and durability
- Fully welded surrounds
- 20 MJ griddle burners per every 305mm section
- 20mm thick mild steel griddle plate
- Piezo ignition
- Constant pilot flame, maximises operating and energy efficiency
- Pilot flame failure on burners
- Front grease trough, generous chute and catcher
- Stainless steel fascia and sides, and drip trays for ease of cleaning
- Large, heat resistant reinforced control knob with easy to view settings and high to low flame control
- Adjustable legs
- Easy to service



**INDUSTRY  
KITCHENS**

[www.industrykitchens.com.au](http://www.industrykitchens.com.au) 1800 611 058

### Other options

- Chrome or ribbed plates
- 120°C - 280°C thermostatic control
- Bench mounted
- Stand with undershelf
- Cupboard stand



Cert. No.  
AGA 7732



**MIDDLEBY GOLDSTEIN**

1800 013 123 | +61 2 9604 7333  
[sales@middleby.com.au](mailto:sales@middleby.com.au)  
[middleby.com.au](http://middleby.com.au)

**VIC - TAS** - 47 Stubbs Street, Kensington VIC 3031  
**QLD** - U12, 210 Queensport Rd Nth, Murarrie QLD 4172  
**WA** - U2, 9 Meares Way, Canning Vale WA 6155

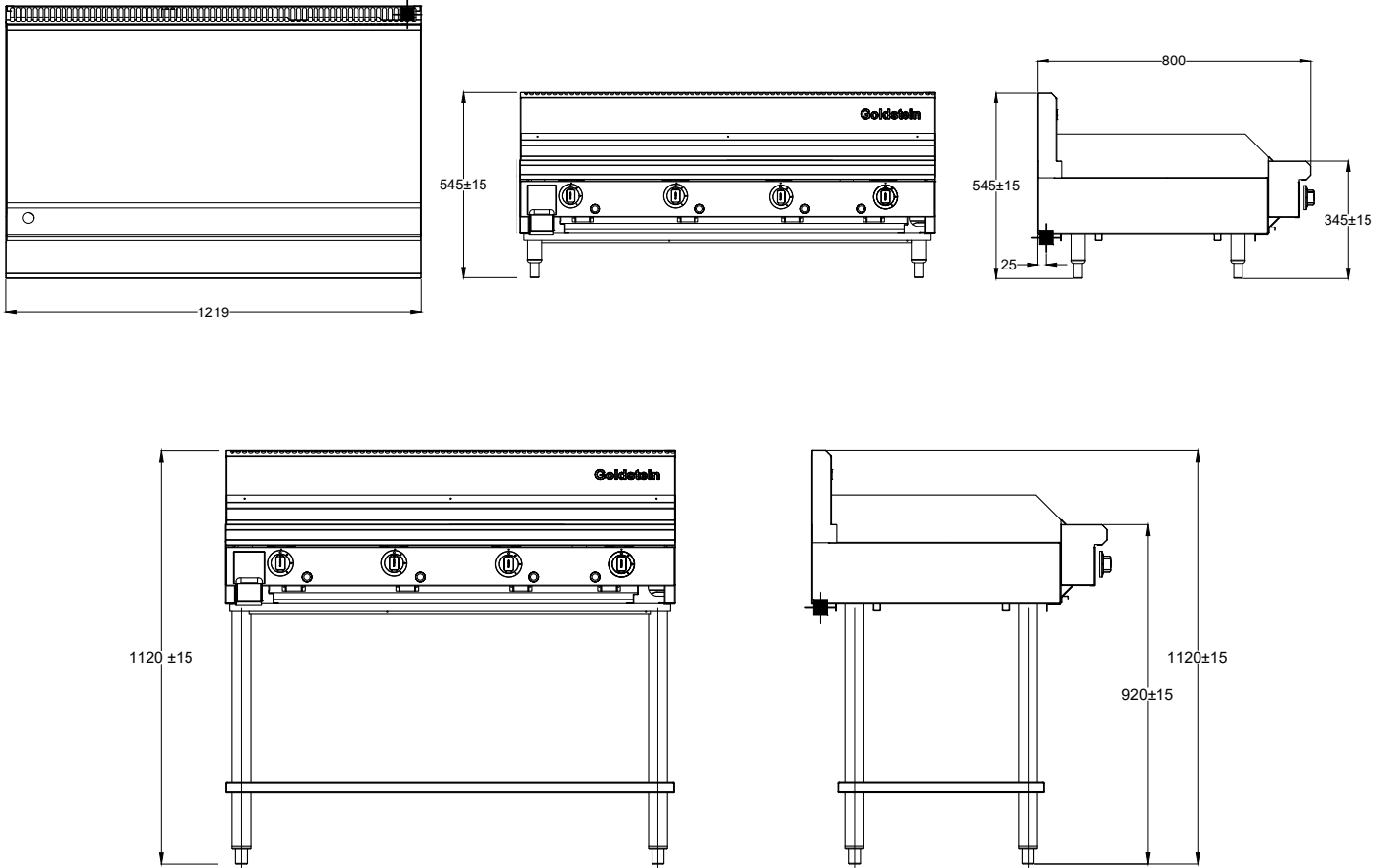
**HEAD OFFICE  
AND MANUFACTURING PLANT**  
211-217 Woodpark Road, Smithfield NSW 2164

v1\_2024



GPGB48-X

# 800 SERIES GAS GRIDDLE PLATES



■ 3/4" BSP Gas Connection

## SPECIFICATIONS

<b>Dimensions (WxDxH)</b>	bench mounted	1219 x 800 x 545 mm
	on stand	1219 x 800 x 1120 mm
<b>Griddle size</b>		1219 x 520 x 20 mm

<b>Gas connection</b>	3/4" BSPM
<b>Rating NG/LPG</b>	80/80 MJ
<b>Packed dimensions without stand</b>	1280 x 900 x 870 mm

Available in Natural and LP gas

## INSTALLATION CLEARANCES (minimum)

<b>Combustible Material</b>	<b>Sides</b>	50 mm
	<b>Back</b>	50 mm

<b>Non-combustible Material</b>	<b>Sides</b>	0 mm
	<b>Back</b>	0 mm

Please note, due to ongoing product development and improvement, we reserve the right to change product design and specification at any time without notice.



1800 013 123 | +61 2 9604 7333  
sales@middleby.com.au  
middleby.com.au

**VIC - TAS** - 47 Stubbs Street, Kensington VIC 3031  
**QLD** - U12, 210 Queensport Rd Nth, Murarrie QLD 4172  
**WA** - U2, 9 Meares Way, Canning Vale WA 6155

**HEAD OFFICE AND MANUFACTURING PLANT**  
211-217 Woodpark Road, Smithfield NSW 2164

v1\_2024