

800 SERIES RANGES

ELECTRIC GRIDDLE PLATE

GPEDB36-X



Standard features and benefits

- 12mm thick mild steel griddle plate
- 6 kW heating elements per every 305mm section
- Thermostat control 50 – 300 °C as standard
- Heavy duty welded stainless steel body for rigidity and durability
- Stainless steel fascia and sides, spill zone and drip trays for ease of cleaning
- Fully welded surrounds
- Large, heat resistant reinforced control knob with easy to view settings
- Heating ON indicator lights
- Adjustable legs 112-132mm
- Easy to service, all parts are accessible from the front of the unit

Other options

- Black front control panel
- Chrome or grooved plate
- Bench mounted
- Stand with undershelf
- Cupboard stand



Please note, due to ongoing product development and improvement, we reserve the right to change product design and specification at any time without notice.

 **MIDDLEBY GOLDSTEIN**

**HEAD OFFICE
AND MANUFACTURING PLANT**
211-217 Woodpark Road
Smithfield NSW 2164

VIC – TAS
47 Stubbs Street,
Kensington
VIC 3031

QLD
U12, 210 Queensport
Rd Nth, Murarrie
QLD 4172

WA
U2, 9 Meares Way,
Canning Vale
WA 6155

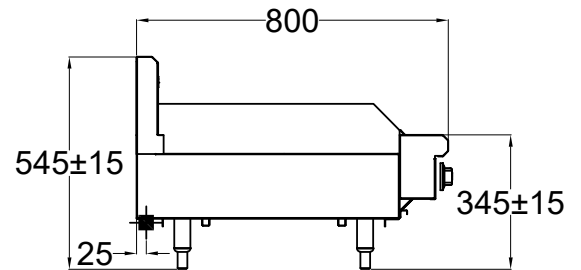
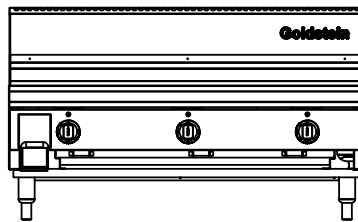
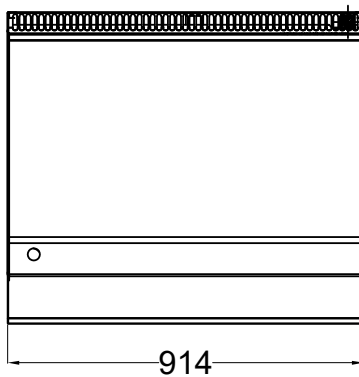
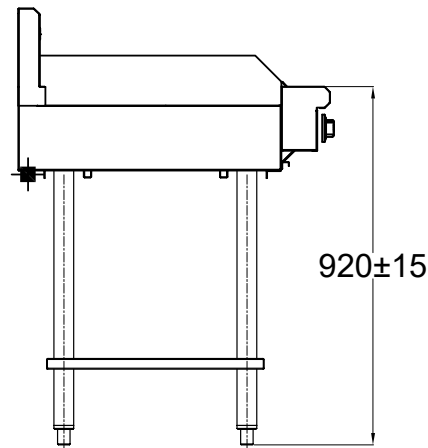
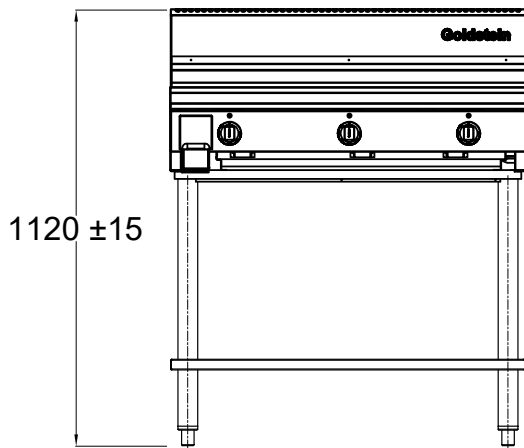
1800 013 123
+61 2 9604 7333
sales@middleby.com.au
middleby.com.au

v2_2025

800 SERIES RANGES

ELECTRIC GRIDDLE PLATE

GPEDB36-X



■ outlet connector (Supplied without cable or plug.)
(400V/50HZ+N+PE)

SPECIFICATIONS

Dimensions (WxDxH)	bench mounted	914 x 800 x 545 mm
	on stand	914 x 800 x 1120 mm
Griddle size		910 x 520 x 12 mm

Electrical connection	400V/50HZ+N+PE
Rating	18 kW
Packed dimensions without stand	980 x 900 x 870 mm

INSTALLATION CLEARANCES (minimum)

Combustible Material	Sides	50 mm
	Back	50 mm

Non-combustible Material	Sides	0 mm
	Back	0 mm

Please note, due to ongoing product development and improvement, we reserve the right to change product design and specification at any time without notice.