



**Goldstein**

# BPG135 BRATT PAN

**INDUSTRY  
KITCHENS**  
www.industrykitchens.com.au 1800 611 058



## BPG135 standard features and benefits

- Nominal capacity of 135 litre stainless steel pan
- Smooth stainless steel exterior
- Seven powerful burners located in the base of the pan, together with 10 mm thick Duplex seamless stainless steel base provides improved heat retention, even heat and ease of cleaning
- Ergonomically designed counter balanced, screwless double skin lid with heavy duty lifting mechanism and drip zone at the back
- Simple high to low flame adjustable control
- Pan design with a rounded corners and no edges
- Wide opening for unloading and easy cleaning
- Pouring spout
- Heavy duty electronic tilt mechanism
- ¼ turn tap and fixed spout on top
- Battery operated spark ignition
- Safety gas cut off valve
- Pilot flame failure
- All components easily serviceable from the front
- All new sleek design

### Standard accessories

- Adjustable legs 140-170 mm

### Optional accessories part codes

	50-300 °C thermostatic burner control
C2	100 mm castors set of 2
C4	100 mm castors set of 4, 2 with brakes
CHAIN	for use with castors



Please note, due to ongoing product development and improvement, we reserve the right to change product design and specification at any time without notice.



**1800 013 123 | +61 2 9604 7333**  
**sales@middleby.com.au**  
**middleby.com.au**

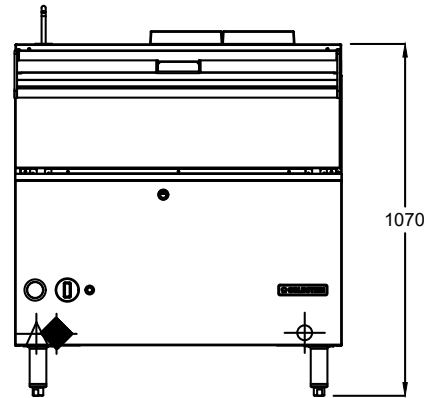
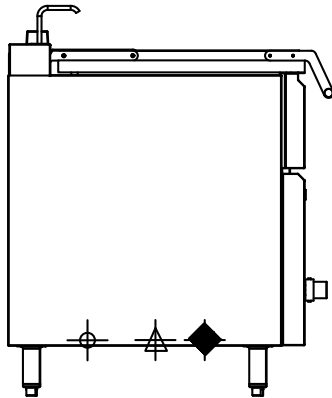
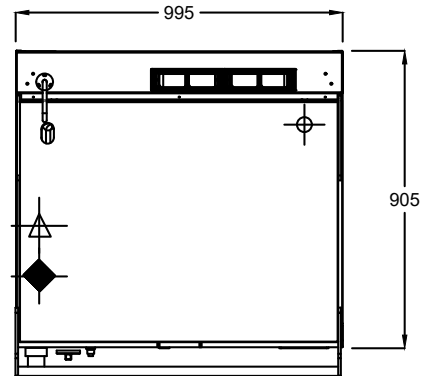
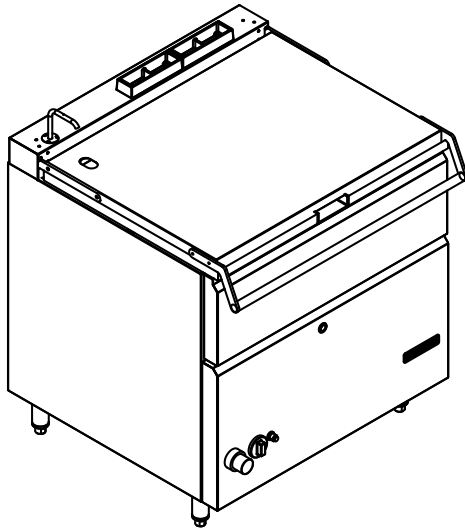
**VIC - TAS** - 47 Stubbs Street, Kensington VIC 3031  
**QLD** - U12, 210 Queensport Rd Nth, Murarrie QLD 4172  
**WA** - U2, 9 Meares Way, Canning Vale WA 6155




**HEAD OFFICE  
AND MANUFACTURING PLANT**  
211-217 Woodpark Road, Smithfield NSW 2164

v1\_2024



# BPG135 BRATT PAN



-  3/4" BSP Gas Inlet
-  10 AMP/230V Plug with 3m Lead Cable
-  1/2" Quick Connect Water Inlet



## BPG135 SPECIFICATIONS

<b>Dimensions (WxDxH)</b>	995 x 905 x 1070 mm
<b>Tank size (WxDxH)</b>	895 x 670 x 310 mm
<b>Nominal capacity</b>	135 L

<b>Gas connection</b>	BSP 3/4" M
<b>Rating NG/LPG</b>	120 / 100 MJ
<b>Electrical connection</b>	10 AMP/230V Plug

## INSTALLATION CLEARANCES (minimum)

<b>Front</b>	400 mm	<b>Combustible Material Side</b>	100 mm	<b>Non-combustible Material Side</b>	0 mm
<b>Floor</b>	150 mm	<b>Combustible Material Rear</b>	100 mm	<b>Non-combustible Material Rear</b>	0 mm

Please note, due to ongoing product development and improvement, we reserve the right to change product design and specification at any time without notice.



1800 013 123 | +61 2 9604 7333  
sales@middleby.com.au  
middleby.com.au

**VIC - TAS** - 47 Stubbs Street, Kensington VIC 3031  
**QLD** - U12, 210 Queensport Rd Nth, Murarrie QLD 4172  
**WA** - U2, 9 Meares Way, Canning Vale WA 6155

**HEAD OFFICE AND MANUFACTURING PLANT**  
211-217 Woodpark Road, Smithfield NSW 2164

v1\_2024