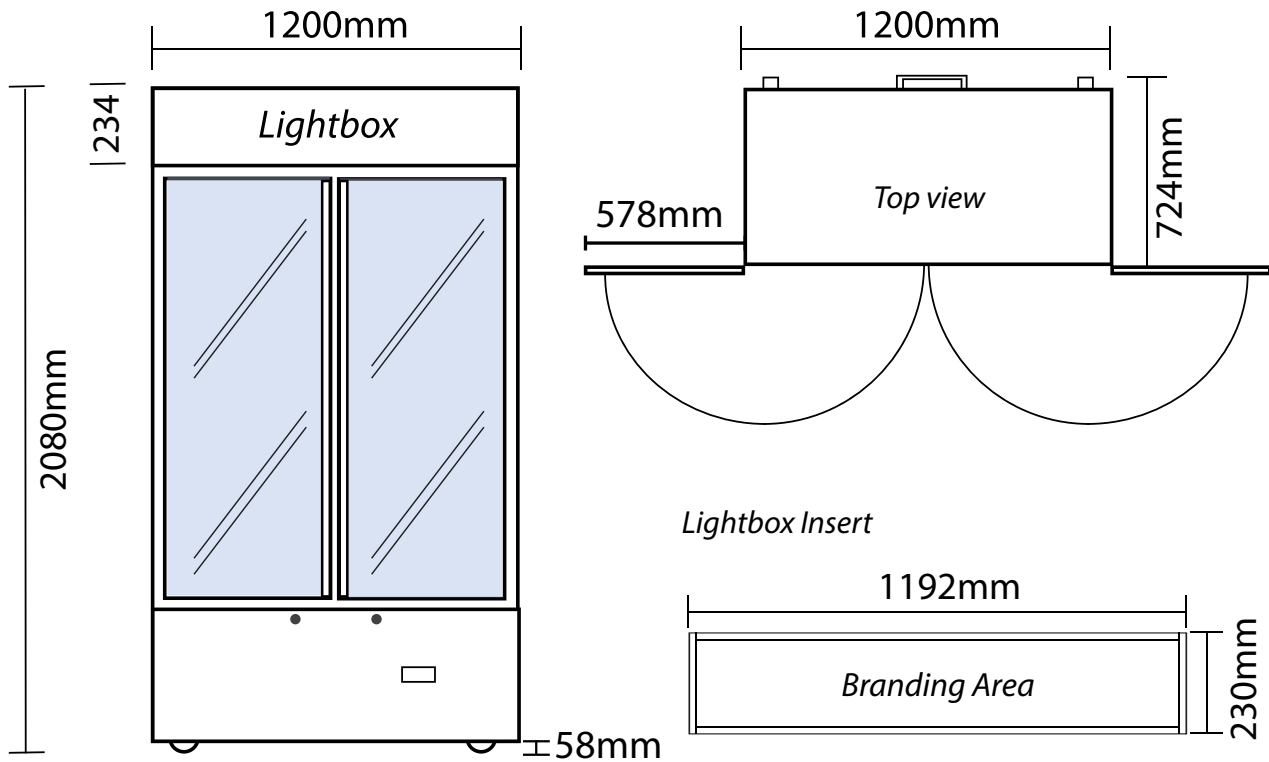


GM1000LCAS | Cassette Flat Glass Door LED Upright Display Chiller

Vertical Displays & Storage



SPECIFICATIONS

Part Number (black)	GM1000LBCAS
Part Number (white)	GM1000LCAS
Capacity	960L
Temperature range	+1°C to +5°C
Max. Ambient Temp.	38°C, 60% RH
Refrigerant Power	520W
Current	2.3A
Gross Weight	188kg
Air-Circulation	Fan Forced with Even Air Channel
Refrigerant	R290
Plug supplied	Yes, 1 x 10A
Display Light Box	Yes
Internal Light	LED, 2 x full length ultra-bright LED strips
Door Type	Double glazed safety glass door
Door Shape	Flat
Self-Closing Door	Yes
Door Lock	Yes
No. of doors	2
Temp. Controller	Digital
Castors	Yes, swivel (plus floor stabiliser adjustable raisers)
No. of shelves	10, adjustable (5+5)
Colour	White or Black
Warranty	2 Years, Parts & Labour

DIMENSIONS

	External (mm)
Height	2080
Width	1200
Depth	724

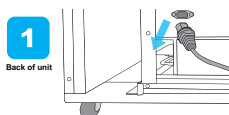
BROMIC PTY Ltd reserve the right to alter specifications without notice.

GM1000LCAS | Cassette Flat Glass Door LED Upright Display Chiller

Vertical Displays & Storage

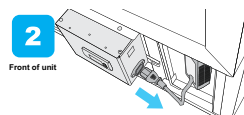


REMOVABLE CASSETTE - IDEAL FOR SERVICING INFIELD, DYNAMIC COOLING SYSTEM



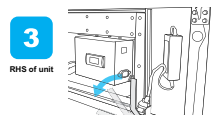
1
Back of unit

Disconnect black plug from back of unit



2
Front of unit

Disconnected black plug from controller



3
RHS of unit

Turn lever left to unlock



4
LHS of unit

Turn lever right to unlock



5
On cassette

Slide cassette towards you and remove