

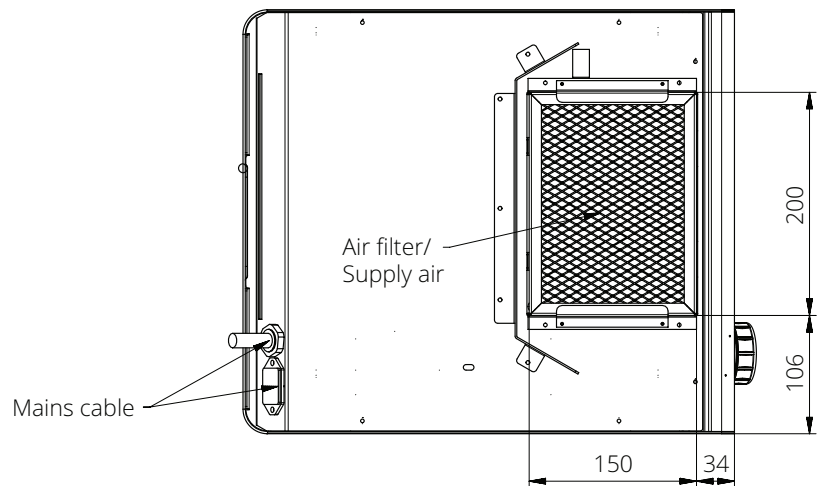
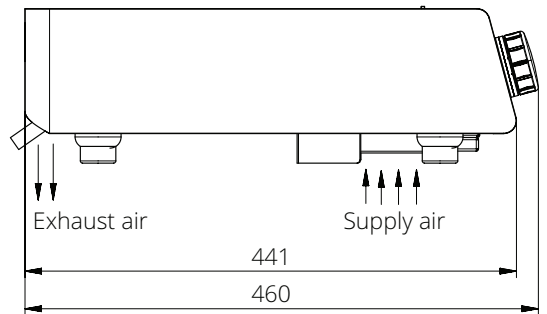
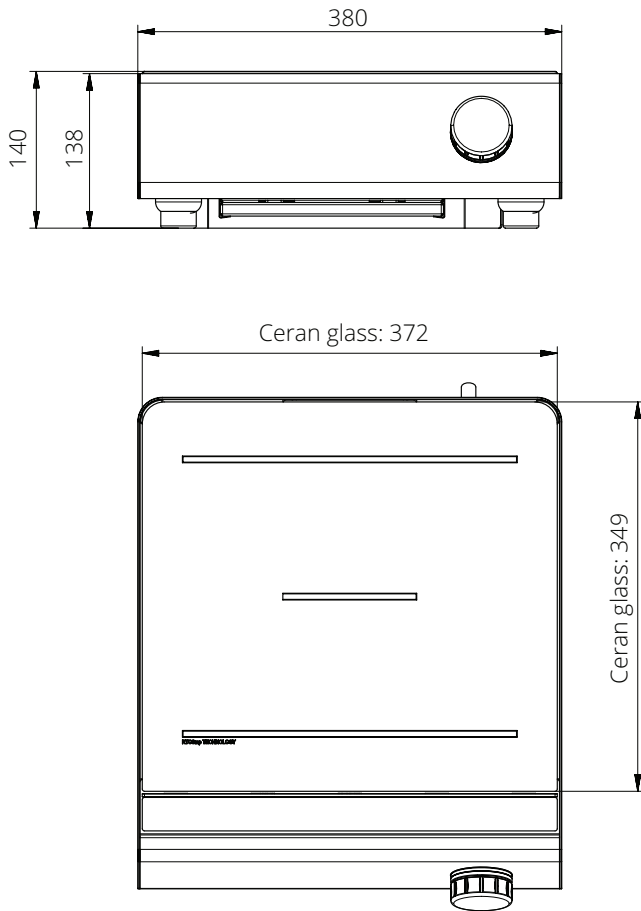
INSTINCT INDUCTION COUNTERTOP HOB 3KW

Garland Instinct Countertop 3kw Induction hob, has one cooking zone, 12 power levels, a holding function from 25°C to cooking at 100°C and a timer function.

Features patented Realtime Temperature Control System with 3 sensors for fastest, safest, most precise and best pan acceptance. It is especially energy efficient and is operated using an easy to operate "Tip and Turn" control knob. The appliance is convenient and operationally reliable and its very short heating times are impressive.

STANDARD FEATURES

- Continuous temperature measurement at the bottom of the pan with RTCSmp technology (Real Time Temperature Control System multi-point)
- The reliable protection against heating an empty pot prolongs the service life of the induction appliance and of the cookware
- Consistent power transfer over the entire cooking time for optimal results
- Convenient cooking without heating the working environment thanks to direct heat transfer from the heating zone to the pan by means of induction
- Very broad spectrum of pans thanks to an innovative variable frequency
- Food residues do not burn onto the Ceran cook top thanks to the cool surface
- Simple and intuitive operation using control knobs on the front
- Exceptionally robust and developed for continuous use in food service operations
- Large heating zone of 372 x 349mm
- Washable air filter
- 2 year parts & warranty



**INDUSTRY
KITCHENS**

www.industrykitchens.com.au 1800 611 058

DIMENSIONS

380W x 460D x 140H mm

Weight: 12kg

TECHNICAL DATA

Total Output: 3kW

Power Supply: 1NAC 240V 50Hz
(Supplied with 1.8m cable with 15A Plug)

SHIPPING DATA

Shipping Weight: 15kg

Shipping Dimensions: 470W x 670D x 240H mm

SPECIFICATIONS ARE SUBJECT TO CHANGE WITHOUT NOTICE.