

**900mm WIDE RESTAURANT SERIES  
GRIDDLE RANGE WITH CONVECTION OVEN**

The Garland Heavy Duty Restaurant Series is a commercial range that has been engineered for unmatched performance and durability.

All of the burners in the range are made of cast-iron for better heat retention and lasting durability.

Featuring stainless steel construction with a large front 127mm 'plate rail' and backguard that matches the other Restaurant Series units giving a sleek clean finish.

Premium 15mm thick griddle with powerful cast iron 'H' burners for even heat distribution. Large 686mm deep work surface.

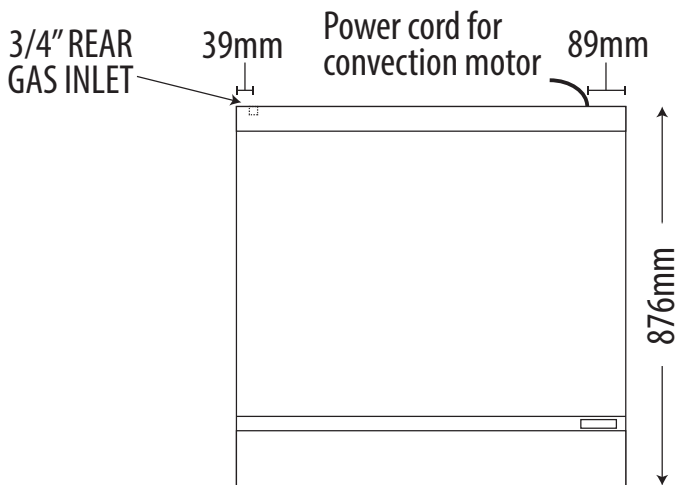
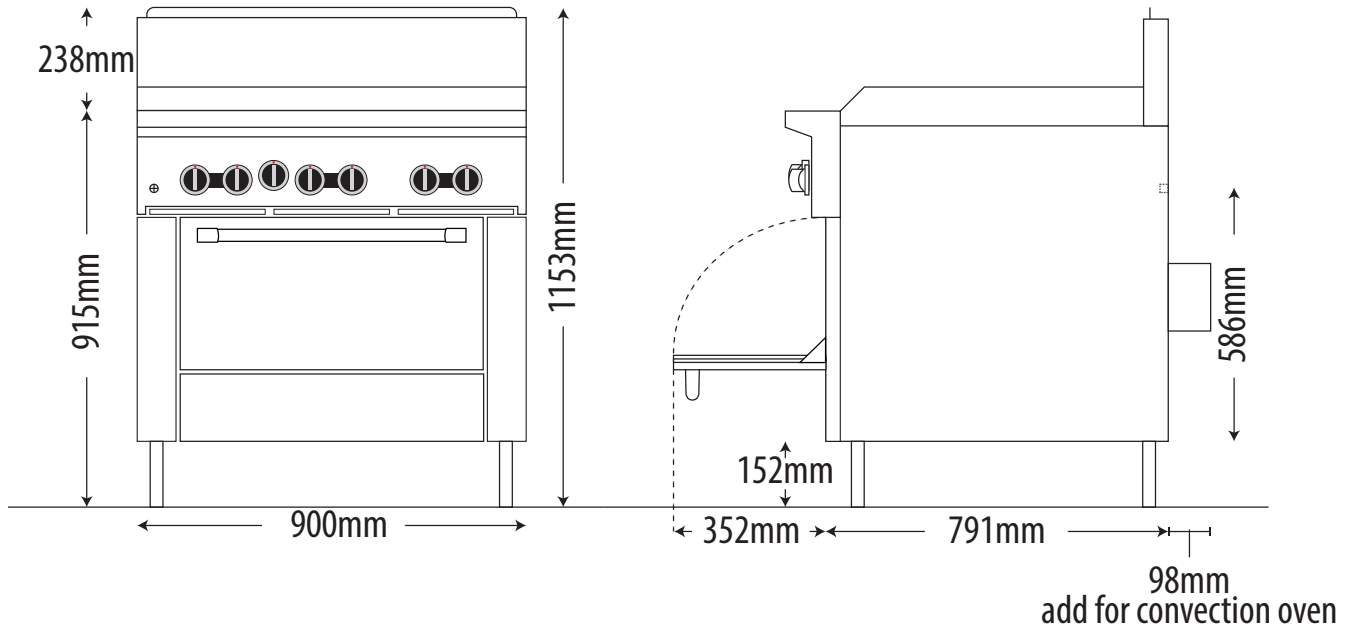
Large easy-to-use control knobs sit atop the fully porcelain interior convection oven that accepts full sized sheet pans in both directions, has a 40MJ 'H' burner with flame failure and a strong adjustable door.


**STANDARD FEATURES**

- Piezo ignition for all concealed burners
- 108mm wide grease trough
- Gas regulator
- 152mm Adjustable stainless steel legs
- Two oven racks included as standard
- Available in Natural or Propane Gas

**OPTIONAL FEATURES**

- Fixed Height Castors - GF-CSTR (Non Brake) GF-CSTRB (brake)
- Grooved Griddle in 300mm sections - Specify -GRV
- Flexible gas hose with quick disconnect and restraining kit - 432018-1200HK


**DIMENSIONS**

- External Dimension: 900W x 974D x 1153H mm
- Working height : 915mm
- Oven Interior : 667W x 660D x 330H mm
- Griddle : 900W x 585D mm
- Combustible wall clearance: Side: 356mm, Rear: 152mm

**TECHNICAL DATA**

Gas Type: Natural or Propane

Total Output:	Natural 97MJ	Propane 87MJ
---------------	-----------------	-----------------

Burner Ratings:	Natural	Propane
Griddle per 300mm	19MJ	18MJ
Oven	40MJ	33MJ

Gas Connection: 3/4"

Power Supply: 240V 1Ph 3.5A (Cord & Plug not included)

**SHIPPING DATA**

Shipping weight: 240kg

Shipping Dimensions: 1143W x 1143D x 1152H mm

**AGA APPROVAL NUMBER**

AGA 7455 G

SPECIFICATIONS ARE SUBJECT TO CHANGE WITHOUT NOTICE.