

**900mm WIDE RESTAURANT SERIES  
6 BURNER RANGE WITH STANDARD OVEN**

The Garland Heavy Duty Restaurant Series is a commercial range that has been engineered for unmatched performance and durability.

Garland's exclusive cast-iron Starfire Pro® burners combine speed with precision and even heat distribution to improve efficiency and control. All of the burners in the range are made of cast-iron for better heat retention and lasting durability.

Featuring stainless steel construction with a large front 127mm 'plate rail' and backguard that matches the other Restaurant Series units giving a sleek clean finish.

Item GF36-6R is a 6 burner range model with 6 burners and standard oven.

2 piece burners are easy to remove and clean with protected individual pilot lights and flame failure as standard. Large 686mm deep work surface fits six 300mm pots easily and grate design allows pots to slide across the surface easily.

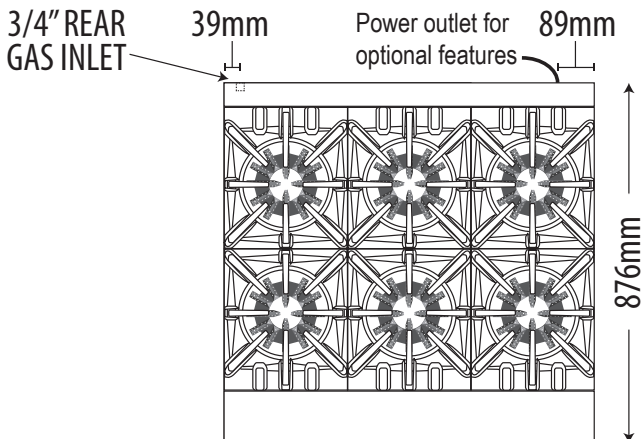
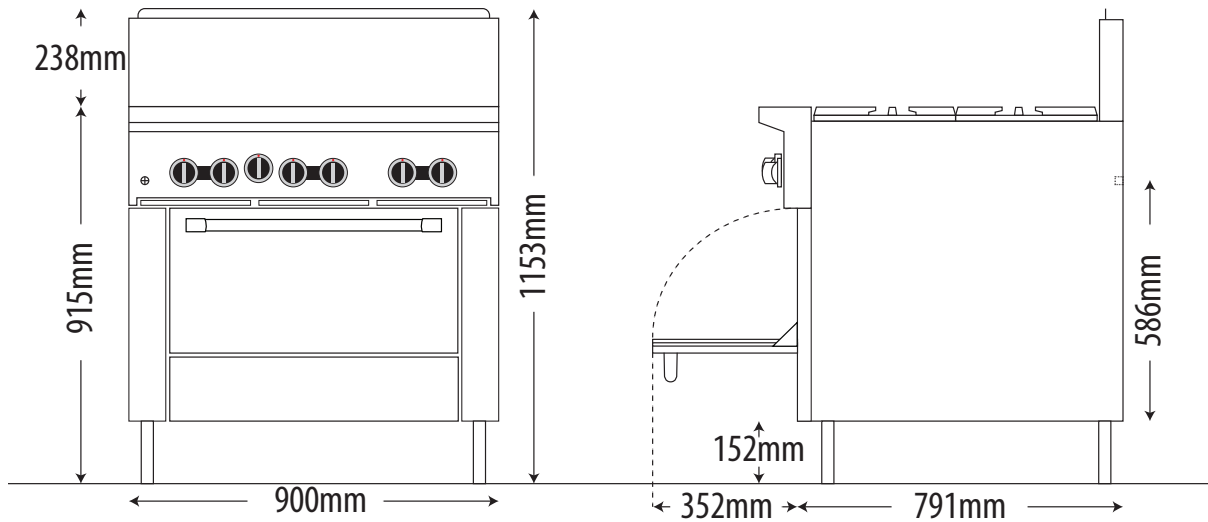
Large easy-to-use control knobs sit atop the fully porcelain interior standard oven that accepts full sized sheet pans in both directions, has a 40MJ 'H' burner with flame failure and a strong adjustable door.


**STANDARD FEATURES**

- Piezo ignition for all concealed burners
- Manual ignition for all open burners
- 300mm stamped drip trays w/dimpled bottom
- Gas regulator
- 152mm Adjustable stainless steel legs
- Two oven racks included as standard
- Available in Natural or Propane Gas

**OPTIONAL FEATURES**

- Fixed Height Castors - GF-CSTR (Non Brake) GF-CSTRB (brake)
- Electronic ignition - Specify GFE36 (240V,1P,10A lead & plug not included)
- Convection oven(s) - Specify GFE36-6C (240V,1P,10A lead & plug not included)
- Flexible gas hose with quick disconnect and restraining kit - 432018-1200HK


**DIMENSIONS**

External Dimension: 900W x 876D x 1153H mm

Working height : 915mm

Oven Interior : 667W x 660D x 330H mm

Combustible wall clearance: Side: 356mm, Rear: 152mm

**TECHNICAL DATA**

Gas Type: Natural or Propane

Total Output:	Natural	Propane
	223.6MJ	211MJ

Burner Ratings:	Natural	Propane
Open Burner	30.6MJ	28.5MJ
Oven	40MJ	33MJ

Gas Connection: 3/4"

**SHIPPING DATA**

Shipping weight: 195kg

Shipping Dimensions: 1050W x 1050D x 1017H mm

**AGA APPROVAL NUMBER**

AGA 7455 G

SPECIFICATIONS ARE SUBJECT TO CHANGE WITHOUT NOTICE.