

*Flamic*

**SF600DX1000, SF600DX1200,  
SF600VDX1000, SF600VDX1200**

**Floor Sheeter**

**MOFFAT**

**INDUSTRY  
KITCHENS**

[www.industrykitchens.com.au](http://www.industrykitchens.com.au) 1800 611 058

#### Product Features

- Floor mounted
- Fixed or variable speed conveyor belt options
- Lever and foot pedal direction control
- Manual roller gap adjustment
- Digital display for lamination thickness
- Tables fold up when not in use
- Supplied with 2 rolling pins
- Conveyor belt width 600mm
- Table length 1000mm or 1200mm
- Roller diameter 70mm, roller gap 0.2 - 37mm



SF600DX1000

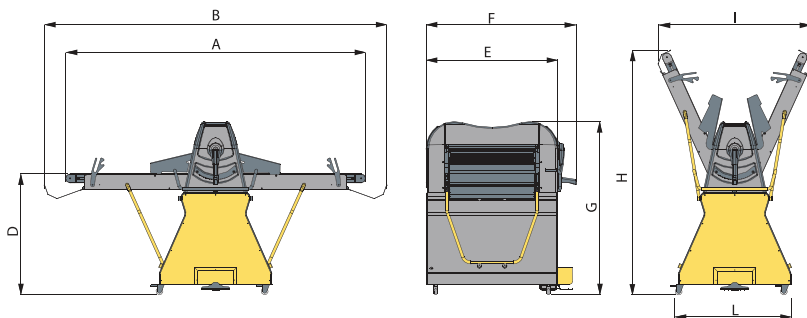
Whatever you need to sheet, Flamic have the solution. Small bench top sheeters to large floor sheeters, we satisfy the needs of small bakeries and large wholesale operations alike. Manufactured in Italy to the highest quality standards, Flamic sheeters provide excellent value for money and will bring a little "Italian flair" to your bakery. Engineered to last, the performance and reliability of Flamic sheeters will give you many years of trouble free operation.



# SF600DX1000, SF600DX1200, SF600VDX1000, SF600VDX1200 Floor Sheeter

Models	Dimensions (mm)								
	A	B	D	E	F	G	H	I	L
SF600DX1000	2160	2490	900	920	1065	1225	1757	1180	800
SF600DX1200	2560	2890	900	920	1065	1225	1940	1350	800
SF600VDX1000	2160	2490	900	920	1065	1225	1757	1180	800
SF600VDX1200	2560	2890	900	920	1065	1225	1940	1350	800

Models	Table Width (mm)	Electrical Requirements	Belt Speed	Weight (kg)
SF600DX1000	1000	400-415V,3P+E, 50Hz, 0.75kW	Fixed	234
SF600DX1200	1200	400-415V,3P+E, 50Hz, 0.75kW	Fixed	244
SF600VDX1000	1000	220-240 ,1P+N+E, 50Hz, 0.5kW	Variable	234
SF600VDX1200	1200	220-240 ,1P+N+E, 50Hz, 0.5kW	Variable	244



moффat.com.au  
moффat.co.nz

Australia  
moффat.com.au

Moffat Pty Limited

Victoria/Tasmania  
740 Springvale Road  
Mulgrave, Victoria 3170  
Telephone +613-9518 3888  
Facsimile +613-9518 3833  
vsales@moffat.com.au

New South Wales  
Telephone +612-8833 4111  
nswsales@moffat.com.au

South Australia  
Telephone +613-9518 3888  
vsales@moffat.com.au

Queensland  
Telephone +617-3630 8600  
qldsales@moffat.com.au

Western Australia  
Telephone +618-9413 2400  
wasales@moffat.com.au

New Zealand  
moффat.co.nz

Moffat Limited

Rolleston  
45 Illinois Drive  
Izone Business Hub  
Rolleston 7675  
Telephone +64 3-983 6600  
Facsimile +64 3-983 6660  
sales@moffat.co.nz

Auckland  
Telephone +64 9-574 3150  
sales@moffat.co.nz



In line with policy to continually develop and improve its products, Moffat Limited reserves the right to change specifications and design without notice. This specification sheet is meant for commercial purpose only. For technical documentation please refer to our service manuals.

© Copyright Moffat Ltd  
AN.F01.21

an Ali Group Company



The Spirit of Excellence