

MICROWAVE SPEED OVEN

NP-MWO-T

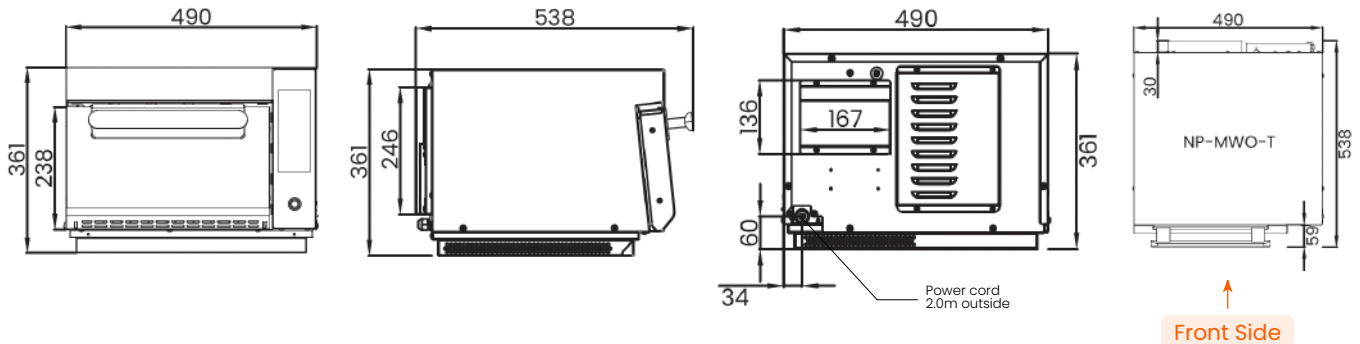
INDUSTRY
KITCHENS

www.industrykitchens.com.au 1800 611 058

EXTREME
PRO



The compact speed oven is designed to provide customers with an extremely fast, energy-efficient, cost-effective, and easy-to-operate cooking solution. Equipped with microwave, top and bottom heating elements, it ensures rapid and even cooking, making it perfect for busy food service environments.



FEATURES AND FUNCTIONS

Power Source	Electric
Cooking Mode	Microwave + Thermal radiation
Cooking Area	240x150x75mm, AISI304
Cooking Stage	5
Exterior & Interior of the Cabinet	Exterior body AISI304 Interior AISI304
Ergonomic Design	6.8-inch screen controller, 9 Pre-set Cooking Programs, Timing and heating indicators, USB upload/download
Heating Method/Type	Microwave + Thermal radiation
Heat Radiation Level	Low, Medium, High, Strong, and Off five gears
Standard Accessories Loading Capacity Per Shelves/Trays	1.5kg
Energy Consumption	Device standby mode 0.37 kW/h
Door & Door Handle	Door AISI304, Door handle Aluminum alloy

TECHNICAL DESCRIPTIONS

Power Cord	3*1.5mm ² , 15Amp plug and lead
Power Cord Length	2m outside cabinet
Power Supply	240V/50Hz
Rated Power	3300W/13.8A

PHYSICAL QUALITIES

Width (mm)	490
Depth (mm)	538
Height (mm)	361
Packing Width (mm)	613
Packing Depth (mm)	601
Packing Height (mm)	433
Net Weight (kg)	42.8
Gross Capacity (L)	8.6
Net Capacity (L)	2.7

PERFORMANCE SPECIFICATION

Ingress Protection Class	IPX3
Temperature Range	170 to 250°C
Preheating Time	3 min - 3 min 30s to 200 C
Safety cut-out and reset settings	280 C temperature limiter (back panel - manual reset)
Overheat Protection	Overheating protection at 140 C and 120 C (This is for the overheating protection of the magnetron.)
Noise Level	Below 65 decibels

WARRANTY

1 Year Parts & Labour Plus 1 Year Parts Only Warranty When
Products Registered Within 14D Of Invoice



To ensure we continuously offer the best possible products, we reserve the right to modify specifications without any obligation for equipment previously or subsequently sold.



IEC 60335-2-90:2015 + A1:2019
IEC 60335-2-36:2017
IEC 60335-1:2010 + A1:2013 + A2:2016