

Gelato Freezers

INDUSTRY KITCHENS

www.industrykitchens.com.au 1800 611 058

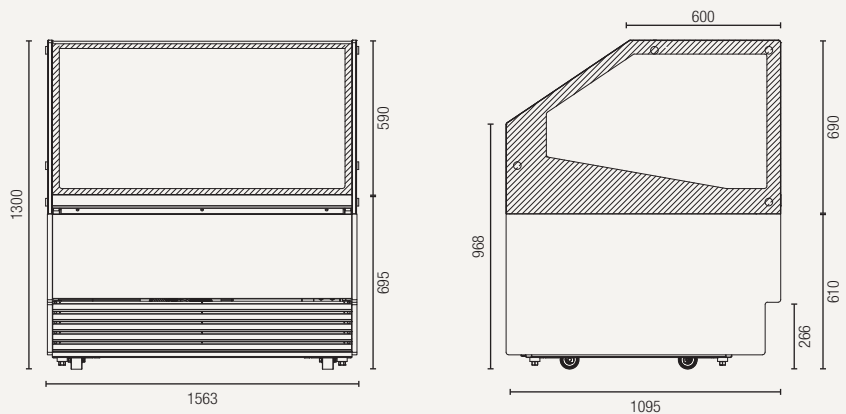
Features:

- Digital temperature display and electronic controller
- Dynamic cooling system with auto defrosting
- Sliding flat glass doors
- Frequency/voltage: 50Hz/220-240 V

- Refrigerant: R290
- Castor wheels
- 60 mm thick insulation
- Ambient temperatures from +16°C to +32°C



IC16T



Gross volume: 754 L

Exterior dimensions in mm: 1563w x 1095d x 1200h

Number 5L tubs hold: 16 (tubs not included)

Temperature set range: -16°C -18°C

Gross/net weight: 485/390 kg

Energy consumption in 24h: 27.4 kWh

\$16,000.00+GST