



Electrolux
PROFESSIONAL

INDUSTRY
KITCHENS
www.industrykitchens.com.au 1800 611 058

Modular Cooking Range Line
700XP 2 Hot Plate Electric Infrared
Cooking Top Range

ITEM # _____

MODEL # _____

NAME # _____

SIS # _____

AIA # _____



- | | |
|----------------------------|--|
| 371024 (E7IRED2000) | 2-zone (2,2 kW each)
Infrared Cooking Top |
| 371133 (E7IRED200N) | 2-zone (2,2 kW each)
Infrared Cooking Top |

Short Form Specification

Item No. _____

Ceramic glass top cooking surface 6 mm thick, lying flush to the stainless steel frame for smooth pan movement and easier cleaning. Completely sealed infrared cooking top surface to prevent liquid infiltration. Exterior panels in stainless steel with Scotch Brite finish. One piece pressed work top in 1.5 mm thick stainless steel. Right-angled side edges to allow flush-fitting junction between units.

Main Features

- Ceramic glass top cooking surface with 2 infrared heating zones 6 mm thick.
- The circular concentric heating sections measuring 230 mm give uniform heat also to the largest pan.
- The cooking top is sealed to prevent infiltration inside the unit.
- Warning light to indicate residual surface heat.
- Immediate heat transfer from cooking top to pan.
- Low heat dissipation to the kitchen.
- Heating via ultra high powered heating elements.
- The smooth glass-ceramic surface can be quickly and easily cleaned, thus providing maximum hygiene.
- IPx4 water protection.
- Suitable for countertop installation.

Construction

- All exterior panels in Stainless Steel with Scotch Brite finishing.
- One piece pressed 1.5 mm work top in Stainless steel.
- Model has right-angled side edges to allow flush fitting joints between units, eliminating gaps and possible dirt traps.

Sustainability

- Energy regulation of each zone.



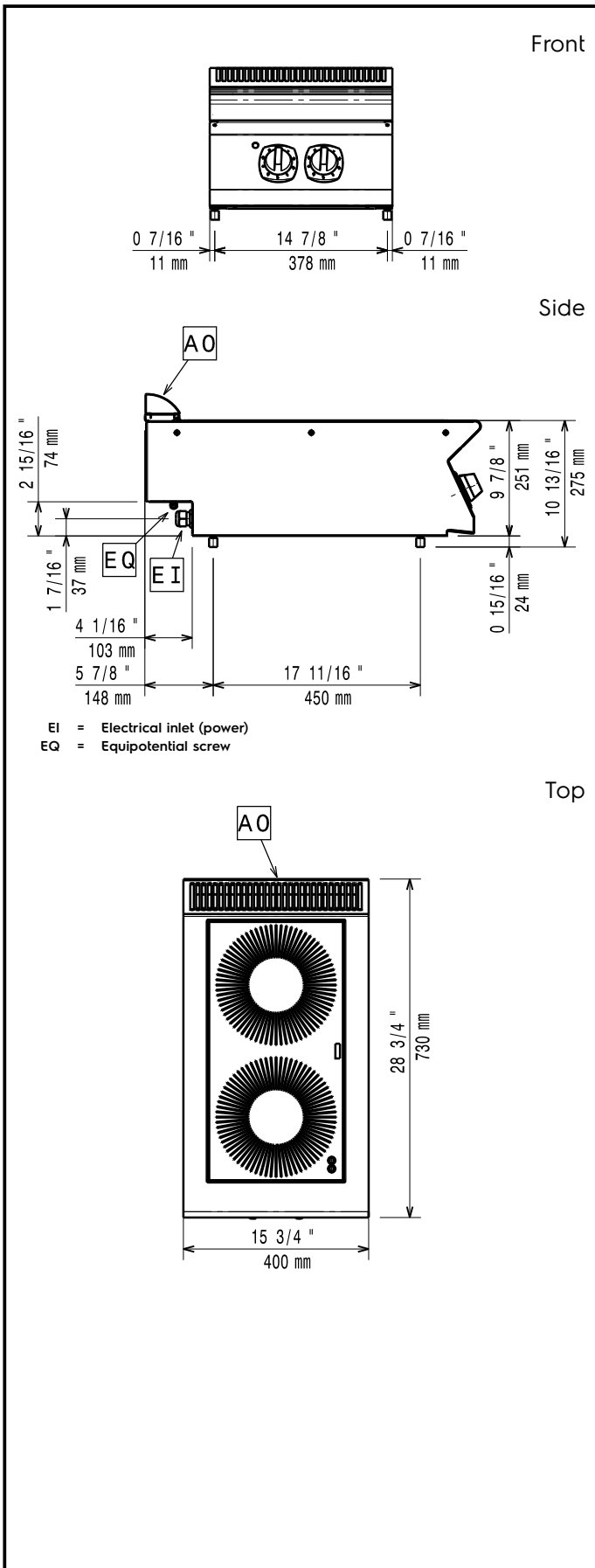
APPROVAL: _____



Experience the Excellence
www.electroluxprofessional.com

Optional Accessories

• Junction sealing kit	PNC 206086	<input type="checkbox"/>
• Support for bridge type installation, 800mm	PNC 206137	<input type="checkbox"/>
• Support for bridge type installation, 1000mm	PNC 206138	<input type="checkbox"/>
• Support for bridge type installation, 1200mm	PNC 206139	<input type="checkbox"/>
• Support for bridge type installation, 1400mm	PNC 206140	<input type="checkbox"/>
• Support for bridge type installation, 1600mm	PNC 206141	<input type="checkbox"/>
• Support for bridge type installation, 400mm	PNC 206154	<input type="checkbox"/>
• Water column extension for 700 line	PNC 206291	<input type="checkbox"/>
• Chimney upstand, 400mm	PNC 206303	<input type="checkbox"/>
• Right and left side handrails	PNC 206307	<input type="checkbox"/>
• Back handrail 800 mm	PNC 206308	<input type="checkbox"/>
• Scraper kit with hooks for HP grills (only for 371133)	PNC 206347	<input type="checkbox"/>
• Chimney grid net, 400mm (700XP/900)	PNC 206400	<input type="checkbox"/>
• Scraper for HP electric grill (only for 371024)	PNC 206436	<input type="checkbox"/>
• Frontal handrail, 400mm	PNC 216046	<input type="checkbox"/>
• Frontal handrail, 800mm	PNC 216047	<input type="checkbox"/>
• Frontal handrail, 1200mm	PNC 216049	<input type="checkbox"/>
• Frontal handrail, 1600mm	PNC 216050	<input type="checkbox"/>
• Large handrail - portioning shelf, 400mm	PNC 216185	<input type="checkbox"/>
• Large handrail - portioning shelf, 800mm	PNC 216186	<input type="checkbox"/>
• 2 side covering panels for top appliances	PNC 216277	<input type="checkbox"/>



Electric

Supply voltage:

371024 (E7IRED2000)

380-400 V/3N ph/50/60 Hz

371133 (E7IRED200N)

230 V/3 ph/50/60 Hz

Predisposed for:

371024 (E7IRED2000)

380-400V 3N- 50/60Hz
3,7-4,4kW

Total Watts:

4.4 kW

Key Information:

If appliance is set up or next to or against temperature sensitive furniture or similar, a safety gap of approximately 150 mm should be maintained or some form of heat insulation fitted.

External dimensions, Width: 400 mm

External dimensions, Depth: 730 mm

External dimensions, Height: 250 mm

Net weight:

371024 (E7IRED2000) 22 kg

371133 (E7IRED200N) 15 kg

Shipping weight:

371024 (E7IRED2000) 26 kg

371133 (E7IRED200N) 27 kg

Shipping height:

371024 (E7IRED2000) 530 mm

371133 (E7IRED200N) 540 mm

Shipping width:

371024 (E7IRED2000) 460 mm

371133 (E7IRED200N) 500 mm

Shipping depth:

820 mm

Shipping volume:

371024 (E7IRED2000) 0.2 m³

371133 (E7IRED200N) 0.22 m³

Certification group:

371024 (E7IRED2000) N7CIE

371133 (E7IRED200N) NIR74

Front Plates Power:

2.2 - 0 kW

Back Plates Power:

2.2 - kW

Front Plates dimensions:

Ø 230

Back Plates dimensions:

Ø 230