



Electrolux
PROFESSIONAL

INDUSTRY
KITCHENS

www.industrykitchens.com.au 1800 611 058

Modular Cooking Range Line 700XP 2-Hot Plates Electric Boiling Top Range

ITEM # _____

MODEL # _____

NAME # _____

SIS # _____

AIA # _____



371014 (E7ECED2R00) 2-Hot Plate (2,6 kW each)
electric Boiling Top

371126 (E7ECED2R0N) 2-Hot Plate (2,6 kW each)
electric Boiling Top

Short Form Specification

Item No.

To be installed on open base installations, bridging supports or cantilever systems. Two 2.6 kW cast-iron hot plates hermetically sealed to the one-piece top. Exterior panels in stainless steel with Scotch Brite finish. One piece pressed work top in 1.5 mm thick stainless steel. Right-angled side edges to allow flush-fitting junction between units.

Main Features

- Unit to be mounted on open base cupboards, bridging supports or cantilever systems.
- The two 2.6kW cast-iron plates are hermetically sealed to the one-piece top.
- The special design of the control knob system guarantees against water infiltration.
- IPx4 water protection.
- Suitable for countertop installation.

Construction

- External panel in Stainless Steel with Scotch Brite finish.
- One piece pressed 1.5 mm work top in Stainless steel.
- Model has right-angled side edges to allow flush fitting joints between units, eliminating gaps and possible dirt traps.

Optional Accessories

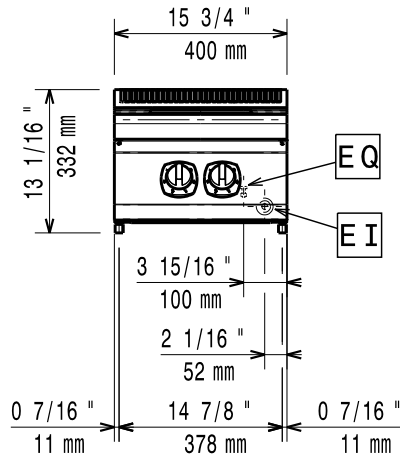
- Junction sealing kit PNC 206086
- Support for bridge type installation, 800mm PNC 206137
- Support for bridge type installation, 1000mm PNC 206138
- Support for bridge type installation, 1200mm PNC 206139
- Support for bridge type installation, 1400mm PNC 206140
- Support for bridge type installation, 1600mm PNC 206141
- Support for bridge type installation, 400mm PNC 206154
- Water column with swivel arm (water column extension not included) PNC 206289
- Water column extension for 700 line PNC 206291
- Chimney upstand, 400mm PNC 206303
- Right and left side handrails PNC 206307
- Back handrail 800 mm PNC 206308
- Chimney grid net, 400mm (700XP/900) PNC 206400
- Frontal handrail, 400mm PNC 216046
- Frontal handrail, 800mm PNC 216047
- Frontal handrail, 1200mm PNC 216049
- Frontal handrail, 1600mm PNC 216050
- Large handrail - portioning shelf, 400mm PNC 216185
- Large handrail - portioning shelf, 800mm (only for 371126) PNC 216186
- 2 side covering panels for top appliances PNC 216277
- Full size basket for 14 and 15lt free standing fryers (only for 371126) PNC 921691

APPROVAL: _____

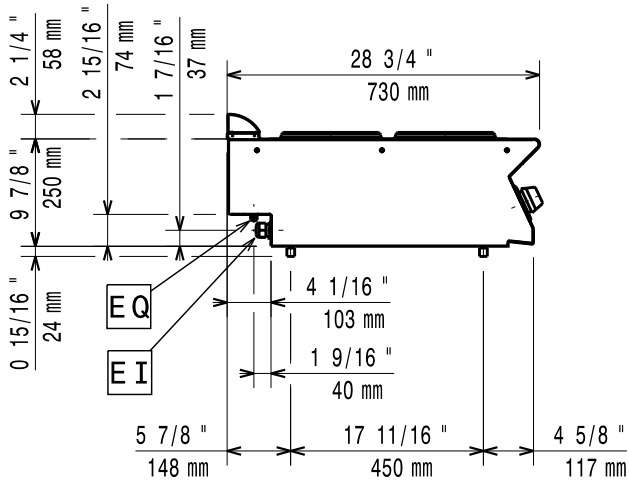


Experience the Excellence
www.electroluxprofessional.com

Front

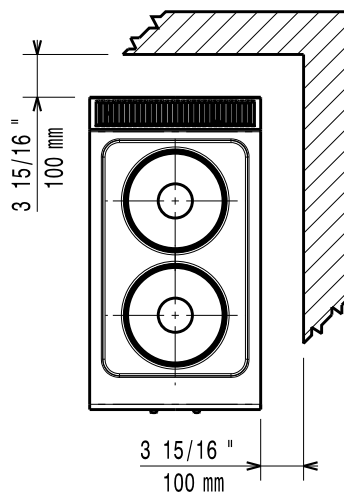


Side



EI = Electrical inlet (power)
 EQ = Equipotential screw

Top



Electric

Supply voltage:

| | |
|---------------------|-------------------------|
| 371014 (E7ECED2R00) | 380-400 V/3 ph/50-60 Hz |
| 371126 (E7ECED2R0N) | 230 V/3 ph/50/60 Hz |

Predisposed for:

Total Watts: 5.2 kW

Key Information:

If appliance is set up or next to or against temperature sensitive furniture or similar, a safety gap of approximately 150 mm should be maintained or some form of heat insulation fitted.

External dimensions, Width: 400 mm

External dimensions, Depth: 730 mm

External dimensions, Height: 250 mm

Net weight: 20 kg

Shipping weight:

| | |
|---------------------|----------|
| 371014 (E7ECED2R00) | 23.75 kg |
| 371126 (E7ECED2R0N) | 24 kg |

Shipping height:

| | |
|---------------------|--------|
| 371014 (E7ECED2R00) | 520 mm |
| 371126 (E7ECED2R0N) | 540 mm |

Shipping width:

460 mm

Shipping depth:

| | |
|---------------------|--------|
| 371014 (E7ECED2R00) | 800 mm |
| 371126 (E7ECED2R0N) | 820 mm |

Shipping volume:

| | |
|---------------------|---------------------|
| 371014 (E7ECED2R00) | 0.19 m ³ |
| 371126 (E7ECED2R0N) | 0.2 m ³ |

Certification group:

| | |
|---------------------|-------|
| 371014 (E7ECED2R00) | EH72T |
| 371126 (E7ECED2R0N) | N7CE1 |

Front Plates Power:

2.6 - 0 kW

Back Plates Power:

2.6 - kW

Front Plates dimensions:

Ø 230

Back Plates dimensions:

Ø 230