



Electric deck oven for pizza 2 decks composition

iDeck consists of one or two baking chambers and an optional prover or stand. The oven's baking surface is made of refractory material, providing the perfect heat distribution over the whole surface. This oven is particularly suitable for direct or indirect pizza baking. Temperature management is electronic, power control of ceiling and floor is independent. The oven door is hinged at the bottom, with a tempered glass window to check the product during baking. The stand consists of a painted metal structure, while the prover is a stainless steel cabinet equipped with a heating thermostat. The prover can reach the maximum temperature of 65°C (149°F), whereas the maximum temperature of the baking chamber is 450°C (842°F).



FUNCTIONING

- Heating by armoured heating elements
- Electronic power management with independent adjustment of ceiling and floor (Dual-Power Technology™)
- Maximum temperature reached 450°C
- Continuous temperature monitoring with thermocouples

CONSTRUCTION

- Front structure made in folded stainless steel
- Oven panels made pre-painted metal sheets
- Door in stainless steel with shutter with hinge at bottom with balancing spring
- Door handle in stainless steel
- Tempered crystal glass
- Control panel on the right front side
- Baking surface in refractory brick
- Upper and lateral structure in aluminized sheet
- Thermal insulation in mineral wool

BAKING ELEMENT INTERNAL DIMENSIONS

Internal height	140 mm
Internal depth	660 mm
Internal width	614 mm
Baking surface	0,4 m ²

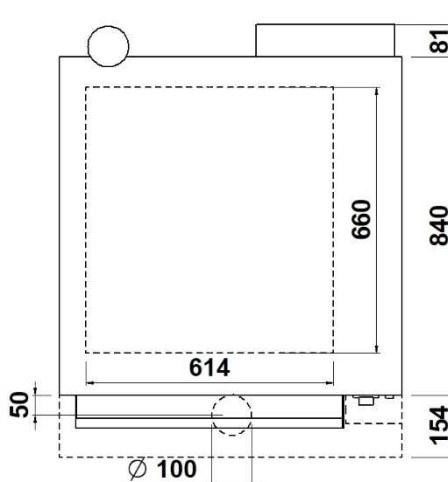
STANDARD EQUIPMENT

- Illumination by halogen lamp
- Independent maximum temperature safety device (only electronic version)

ACCESSORIES

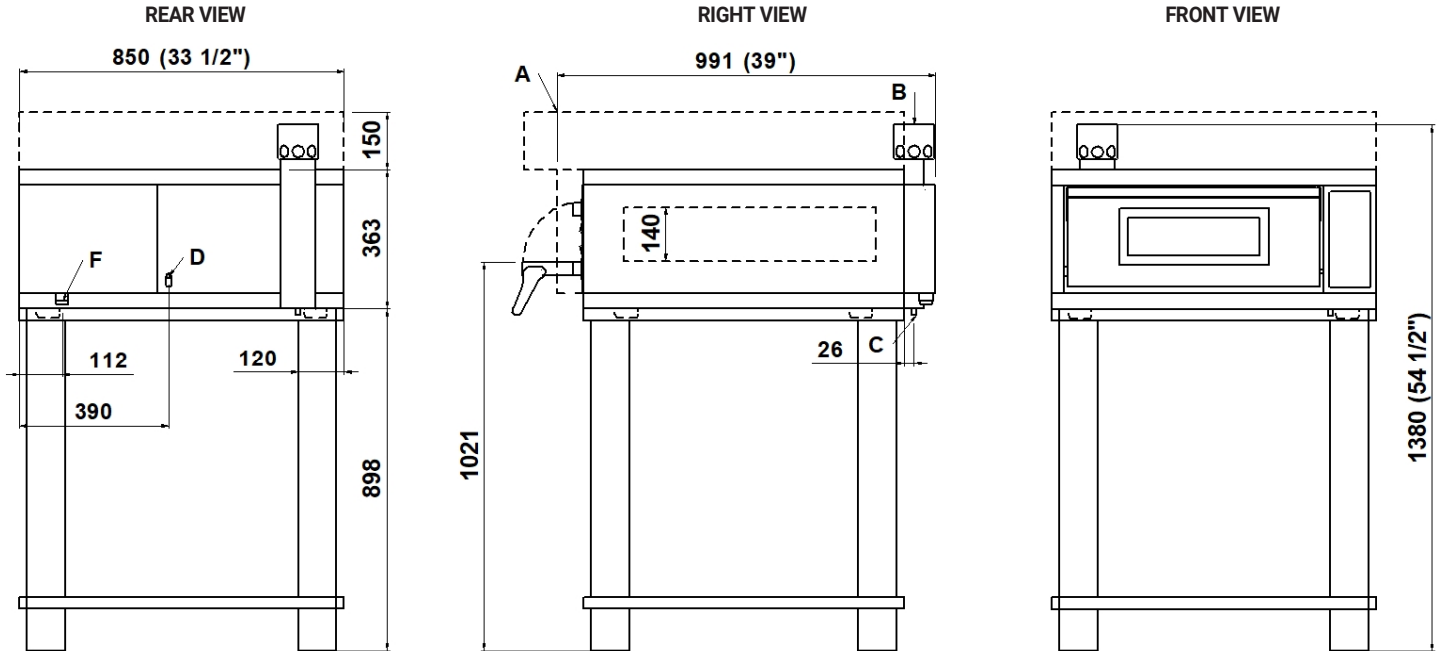
- Prover on wheels height 700, 1000 mm
- Stand height 600, 900 mm
- 4 wheels kit
- Additional trayholder slides
- Stacking kit
- Hood

TOP VIEW



iD-M 60.60

(assembled with stand height 950mm)



NOTE: The dimensions indicated in the views are in millimeters.

A Ø100 hood steam collector	B Ø INT. 102 steam exhaust	C Ø12 condensate exhaust	D M6 equipotential screw
F fairleads			

EXTERNAL DIMENSIONS

External height	481 mm
External depth	991 mm
External width	850 mm
Weight	80 kg

SHIPPING INFORMATION

Packed oven sizes:	
Height	560 mm
Depth	1060 mm
Width	920 mm
Weight	(80+13) kg

FEEDING AND POWER

Standard feeding	
A.C. V400 3N	
Feeding on request	
A.C. V230 3, A.C. V230 1N	
Frequency	50/60 Hz
Max power	4,2 kW
*Average power cons	2,1 kWh
Connecting cable	
type H07RN-F	
5x2,5mm ² (V400 3N)	
4x4mm ² (V230 3)	
3x4mm ² (V230 1N)	
Prover power supply (optional)	
A.C. V230 1N 50/60 Hz	
Max power	1 kW
*Average power cons	0,5 kWh
Conn. cable type H07RN-F 3x1,5mm ²	

TOTAL BAKING CAPACITY

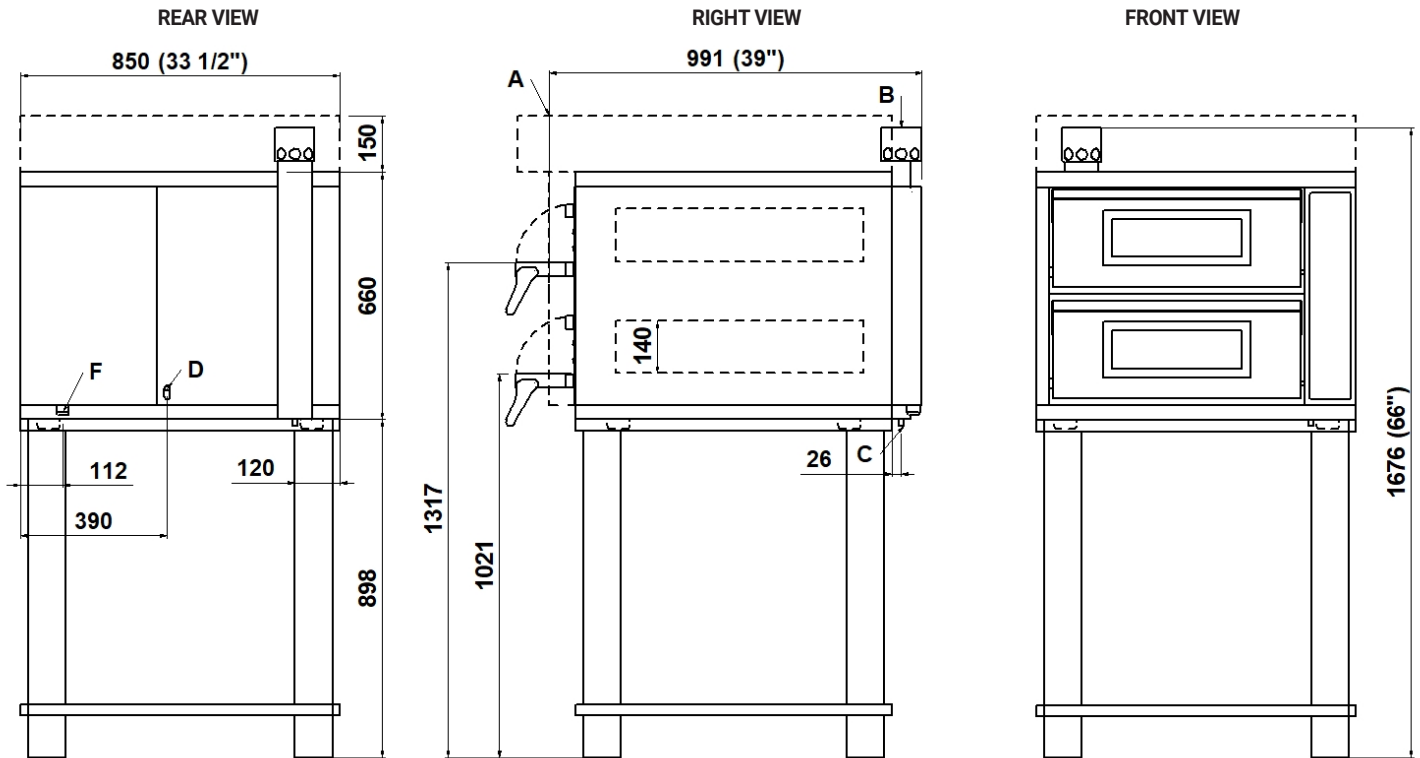
Tray (600x400)mm	1
Pizza diameter 300mm	4
Pizza diameter 450mm	1

* This value is subject to variation according to the way in which the equipment is used

NOTE: MORETTI FORNI S.P.A. reserves the right to modify the characteristics of the products illustrated in this publication without prior notice

iD-D 60.60

(assembled with stand height 900mm)



NOTE: The dimensions indicated in the views are in millimeters.

A Ø100 hood steam collector	B Ø INT. 102 steam exhaust	C Ø12 condensate exhaust	D M6 equipotential screw
F fairleads			

EXTERNAL DIMENSIONS

External height	778 mm
External depth	991 mm
External width	850 mm
Weight	133 kg

SHIPPING INFORMATION

Packed oven sizes:	
Max height	840 mm
Max depth	1060 mm
Max width	920 mm
Weight	(133+14) kg

FEEDING AND POWER

Standard power supply	
A.C. V400 3N	
Optional power supply	
A.C. V230 3, A.C. V230 1N	
Frequency	50/60 Hz
Max power	8,4 kW
*Average power cons	4,2 kWh
Connecting cable	
type H07RN-F	
5x4mm ² (V400 3N)	
4x6mm ² (V230 3)	
3x10mm ² (V230 1N)	
Prover power supply (optional)	
A.C. V230 1N 50/60 Hz	
Max power	1 kW
*Average power cons	0,5 kWh
Conn. cable type H07RN-F 3x1,5mm ²	

TOTAL BAKING CAPACITY

Tray (600x400)mm	2
Pizza diameter 300mm	8
Pizza diameter 450mm	2

* This value is subject to variation according to the way in which the equipment is used

NOTE: MORETTI FORNI S.P.A. reserves the right to modify the characteristics of the products illustrated in this publication without prior notice