

Client _____ Quantity _____
Project _____ Position _____

Pastry EN60x40 counter 3 doors

Model: TS17/1BJ-710

Cod: T20300000401



Technical data

Top:	Without top
Gross capacity:	607 lt
Temperature range:	-15°-22°C
Refrigerant unit:	Plug-In
Energetic class:	E
Energy efficiency index:	78,7
Annual consumption:	3626 kW/h annum
24h consumption:	9,934 kW/h/24h
Climate class:	5
Cooling gas:	R290
Defrost:	Hot gas
Body height:	710 mm
Valve:	Supplied standard with solenoid
Dimensions:	2005×780×810 mm
Packing dimensions:	2100×900×990 mm
Gross weight:	165 Kg
Voltage:	220-240 V - 50 Hz
Total rate:	850 W
Absorbed Current:	3,9 A
Cooling capacity:	569 W*
*:	Evap. -30°C Cond. +55°C

Features

Standard equipment:	12 slides EN60x40
Control:	Electronic, display flush with the panel
Doors:	3 doors, self-closing, reversible with 105° stop
Door gasket:	Magnetic, triple chamber and easily replaceable
Insulation:	60 mm thickness - CFC/HCFC free
Exterior/interior finishing:	Exterior interior and back in AISI 304 stainless steel. Base in colaminated steel
Inner corners:	Rounded for easy cleaning and ensuring maximum hygiene
Handle:	Stainless steel AISI 304, 2 mm thick
Racks and slides:	Stainless steel AISI 304
Feets:	Stainless steel AISI 304, adjustable h 100-150 mm
Cosmo:	Ready for connection to Cosmo Hub

Accessories and variants

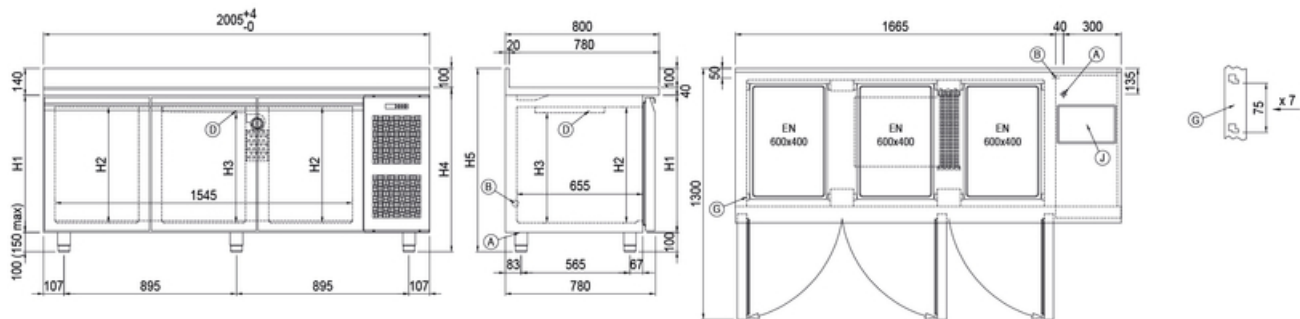
Drawers 1/2	Aluminium coated backing-pan EN60x40 h 20 mm
Drawers 1/3	Stainless steel shelf EN60x40
Drawers 1/3 + 2/3	Plastic coated shelf EN60x40
Technical compartment on the left	Pair of type L slides 605 mm
Lock with key for drawer 1/2	IP44 schuko socket with cover
Lock with key for drawer 1/3	Serial interface, RS485 cable
Lock with key for drawer 1/3 + 2/3	Cosmo connection kit
RAL customisable colouring	Removable plinth EN 3D h 50 mm
Plug-in water unit	Removable plinth EN 3D h 100 mm
Power supply frequency 60Hz	Removable plinth EN 4D h 150 mm
Other special voltage	
Internal hygiene H3	
Granite flat worktop	
Granite worktop with splashback	
Service water sink Ø 300 mm	
Single lever mixer hole Ø 3/4	
Adjustable feet h 145/195 mm	
6 Swivel and brake castors h 128 mm	

COSMO - wi-fi control

Cosmo is the wi-fi technology that allow to connect and monitor all Coldline appliances. Connect Pastry counters to a Cosmo hub (MODI, VISION or LEVTRONIC) and from the app you can check the operating conditions of each machine and receive alerts in case of abnormal functioning.

*The installation requires a kit for the replacement of the racks

Technical draw



H1	H2	H3	H4	H5
710	600	570	850	950

- A:** Power supply cable outlet
- B:** Condensation water drain
- D:** Airflow conveyor
- G:** Racks pitch
- J:** Automatic evaporation of condensing water

In order to constantly offer the best possible products we reserve the right to make changes on technical specifications without incurring any obligation for equipment previously or subsequently sold.