



## Electric deck oven for pizza 2 decks composition

iDeck consists of one or two baking chambers and an optional proofer or stand. The oven's baking surface is made of refractory material, providing the perfect heat distribution over the whole surface. This oven is particularly suitable for direct or indirect pizza baking. Temperature adjustment is electro-mechanical, with independent control of the ceiling and floor heating elements. The oven door is hinged at the bottom, with a tempered glass window to check the product during baking. The stand consists of a painted metal structure, while the proofer is a stainless steel cabinet equipped with a heating thermostat. The proofer can reach the maximum temperature of 65°C (149°F), whereas the maximum temperature of the baking chamber is 450°C (842°F).



### FUNCTIONING

- Heating by armoured heating elements
- Separate heating element control by mean contactors that are controlled by thermostats
- Maximum temperature reached 450°C
- Continuous measurement of temperature by probe indicator

### CONSTRUCTION

- Front structure made in folded stainless steel
- Oven panels made pre-painted metal sheets
- Door in stainless steel with shutter with hinge at bottom with balancing spring
- Door handle in stainless steel
- Tempered crystal glass
- Control panel on the right front side
- Baking surface in refractory brick
- Upper and lateral structure in aluminized sheet
- Thermal insulation in mineral wool

### BAKING ELEMENT INTERNAL DIMENSIONS

Internal height	140 mm
Internal depth	720 mm
Internal width	720 mm
Baking surface	0,5 m <sup>2</sup>

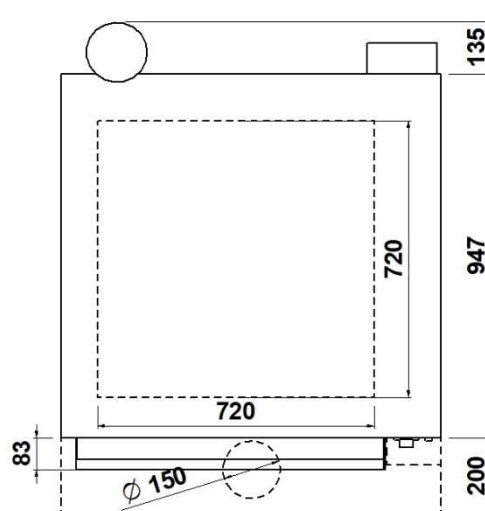
### STANDARD EQUIPMENT

- Illumination by halogen lamp
- Independent maximum temperature safety device (only electronic version)

### ACCESSORIES

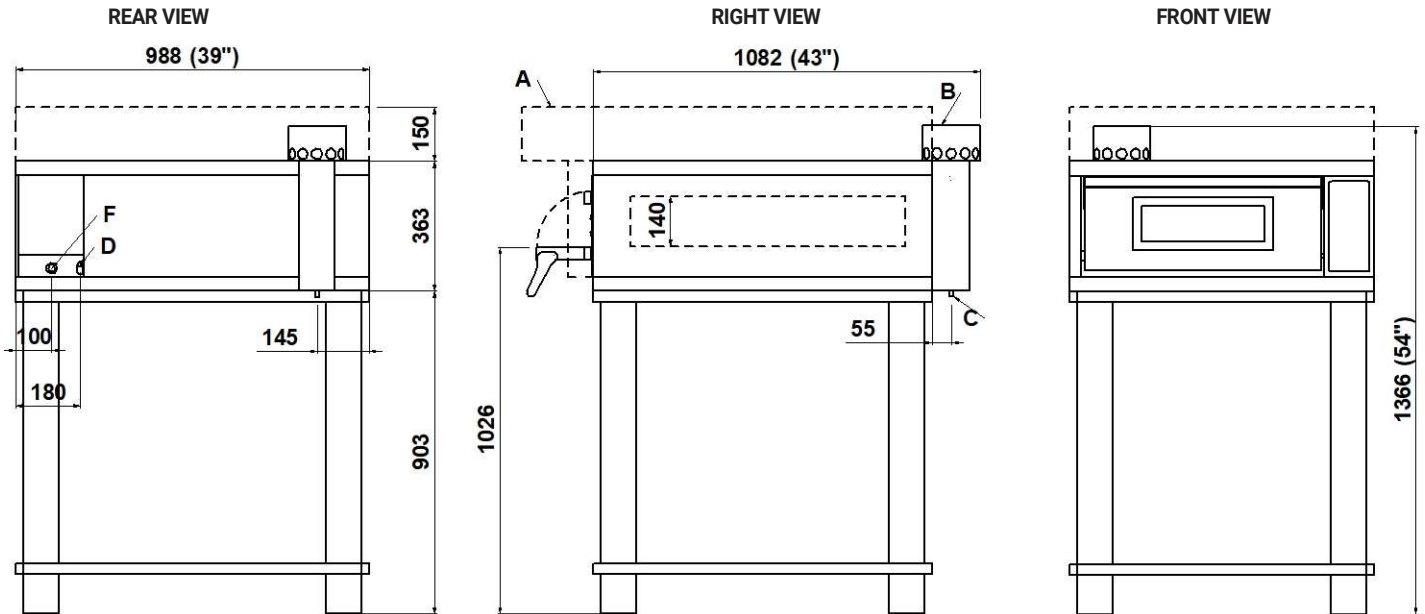
- Prover on wheels height 700, 1000 mm
- Stand height 600, 900 mm
- 4 wheels kit
- Additional trayholder slides
- Stacking kit
- Hood

### TOP VIEW



**PM 72.72**

(assembled with stand height 900mm)



**NOTE:** The dimensions indicated in the views are in millimeters.

<b>A</b> Ø150 hood steam collector	<b>B</b> Ø INT. 157 steam exhaust	<b>C</b> Ø12 condensate exhaust	<b>D</b> M6 equipotential screw
<b>F</b> fairleads			

**EXTERNAL DIMENSIONS**

External height	463 mm
External depth	1082 mm
External width	988 mm
Weight	105 kg

**SHIPPING INFORMATION**

Packed oven sizes:

Height	550 mm
Depth	1160 mm
Width	1180 mm
Weight	(105+21) kg

**FEEDING AND POWER**

Standard feeding	A.C. V400 3N
Feeding on request	A.C. V230 3
Frequency	50/60 Hz
Max power	6 kW
*Average power cons	3 kWh
Connecting cable	type H07RN-F
	5x4mm <sup>2</sup> (V400 3N)
	4x6mm <sup>2</sup> (V230 3)
Prover power supply (optional)	A.C. V230 1N 50/60 Hz
Max power	1 kW
*Average power cons	0,5 kWh
Conn. cable type	H07RN-F 3x1,5mm <sup>2</sup>

**TOTAL BAKING CAPACITY**

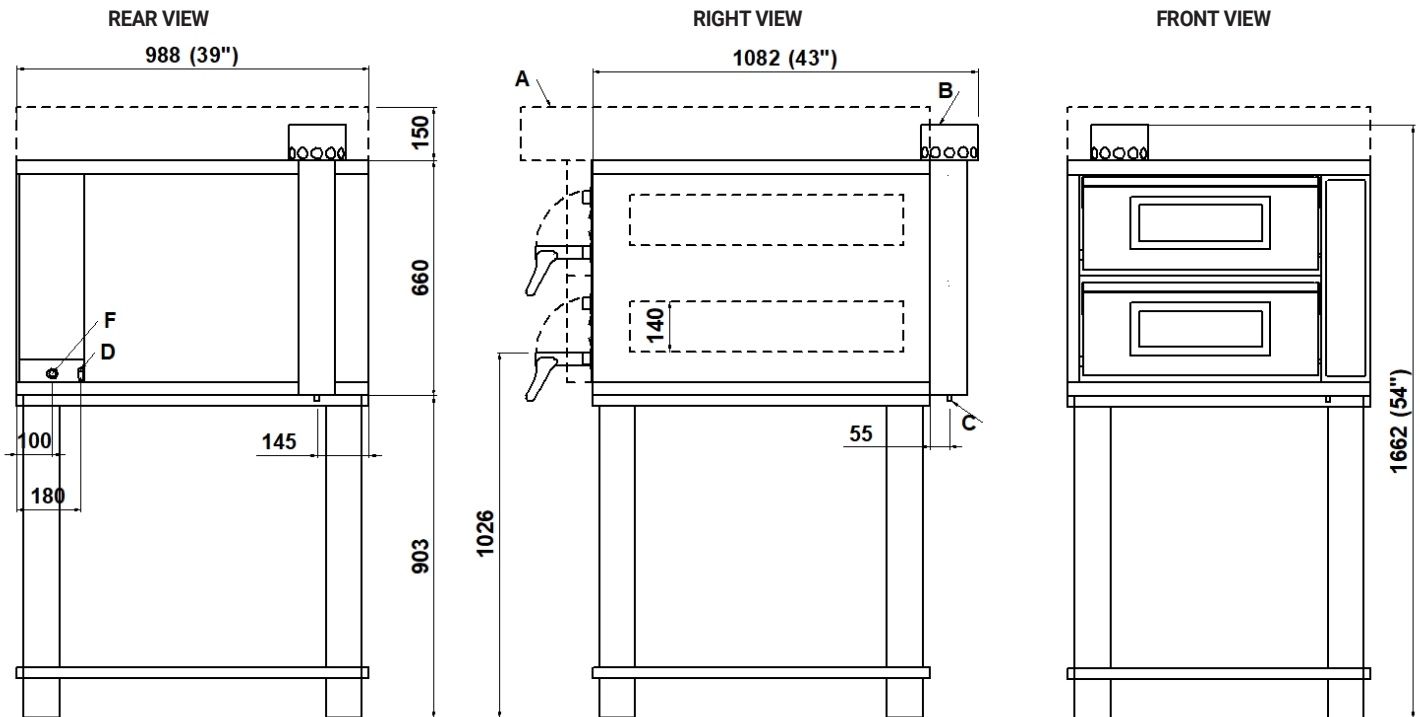
Tray (600x600)mm	1
Pizza diameter 350mm	4
Pizza diameter 450mm	1

\* This value is subject to variation according to the way in which the equipment is used

**NOTE:** MORETTI FORNI S.P.A. reserves the right to modify the characteristics of the products illustrated in this publication without prior notice

**PD 72.72**

(assembled with stand height 900mm)



**NOTE:** The dimensions indicated in the views are in millimeters.

<b>A</b> Ø150 hood steam collector	<b>B</b> Ø INT. 157 steam exhaust	<b>C</b> Ø12 condensate exhaust	<b>D</b> M6 equipotential screw
<b>F</b> fairleads			

**EXTERNAL DIMENSIONS**

External height	760 mm
External depth	1082 mm
External width	988 mm
Weight	175 kg

**SHIPPING INFORMATION**

Packed oven sizes:	
Max height	870 mm
Max depth	1160 mm
Max width	1180 mm
Weight	(175+23) kg

**FEEDING AND POWER**

Standard power supply	A.C. V400 3N
Optional power supply	A.C. V230 3
Frequency	50/60 Hz
Max power	12 kW
*Average power cons	6 kWh
Connecting cable	type H07RN-F
	5x4mm <sup>2</sup> (V400 3N)
	4x6mm <sup>2</sup> (V230 3)
Prover power supply (optional)	A.C. V230 1N 50/60 Hz
Max power	1 kW
*Average power cons	0,5 kWh
Conn. cable type	H07RN-F 3x1,5mm <sup>2</sup>

**TOTAL BAKING CAPACITY**

Tray (600x600)mm	2
Pizza diameter 350mm	8
Pizza diameter 450mm	2

\* This value is subject to variation according to the way in which the equipment is used

NOTE: MORETTI FORNI S.P.A. reserves the right to modify the characteristics of the products illustrated in this publication without prior notice