



## Electric convection oven 1 baking element composition

F50, professional convection oven specific for pastry, bakery and gastronomy. Available with prover or stand. The electronic interface for function management is easy to use, 100 customizable programs with the possibility to manage up to 9 baking phases, automatic steam valve, adjustable and programmable vaporization for humidity management. The ventilation system with alternated air rotation ensures a perfect heat distribution. The oven door is equipped with a double tempered glass, which can be opened to facilitate cleaning operations. The stand consists of a painted metal structure, while the prover is a stainless steel cabinet, equipped with a heating thermostat and internal light. The prover can reach the maximum temperature of 65°C (150°F), whereas the baking chamber's maximum temperature is 270°C (518°F).



### FUNCTIONING

- Heating by circular armored heating element
- Ventilation system by 1 alternating rotation centrifugal fan in stainless steel
- Maximum temperature reached 270°C (518°F)
- Continuous temperature monitoring with thermocouple
- PID power control (Proportional Integral Derivative) can allow the automatic regulation of energy necessary on the basis of the quantity of the batch product Adaptive-Power® Technology
- Programmable electronic function management
- Vapour ducting using a motorized programmable valve

### CONSTRUCTION

- Structure and baking chamber in shaped stainless steel plate
- Stainless steel door with 2 tempered glasses, the internal glass type of athermic has an easy compass opening for cleaning
- Locking handle in thermoplastic material
- Control panel on front right hand side
- Trayholder in welded stainless steel plate, extractable for cleaning
- Nebulizer injection system in stainless steel for steam production
- Thermal insulation in rock wool

### ACCESSORIES

- Prover on wheels height 700 or 1000mm
- Prover on wheels with humidifier height 600 or 1000mm
- Glass prover on wheels with humidifier height 730mm
- Stand on wheels height 500, 700 or 1000mm
- Stainless steel hood with tempered silk-screened glass logo BlackBar® Design
- Hood exhauster 500m3/h
- Stacking kit
- Additional trayholder slides
- Water pressure regulator

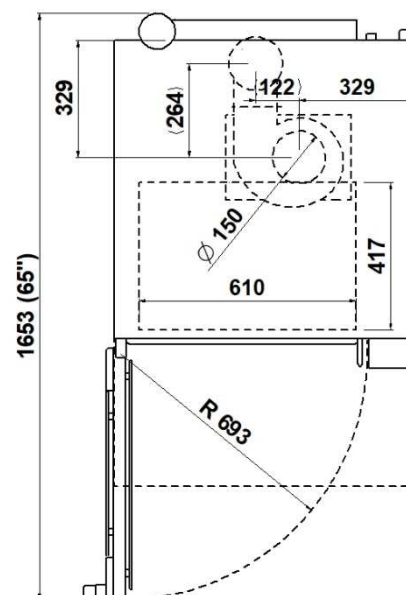
### INTERNAL DIMENSIONS

Internal depth	417 mm
Internal width	610 mm
Tray (60x40)cm	5
Space between trayholders	97 mm

### STANDARD EQUIPMENT

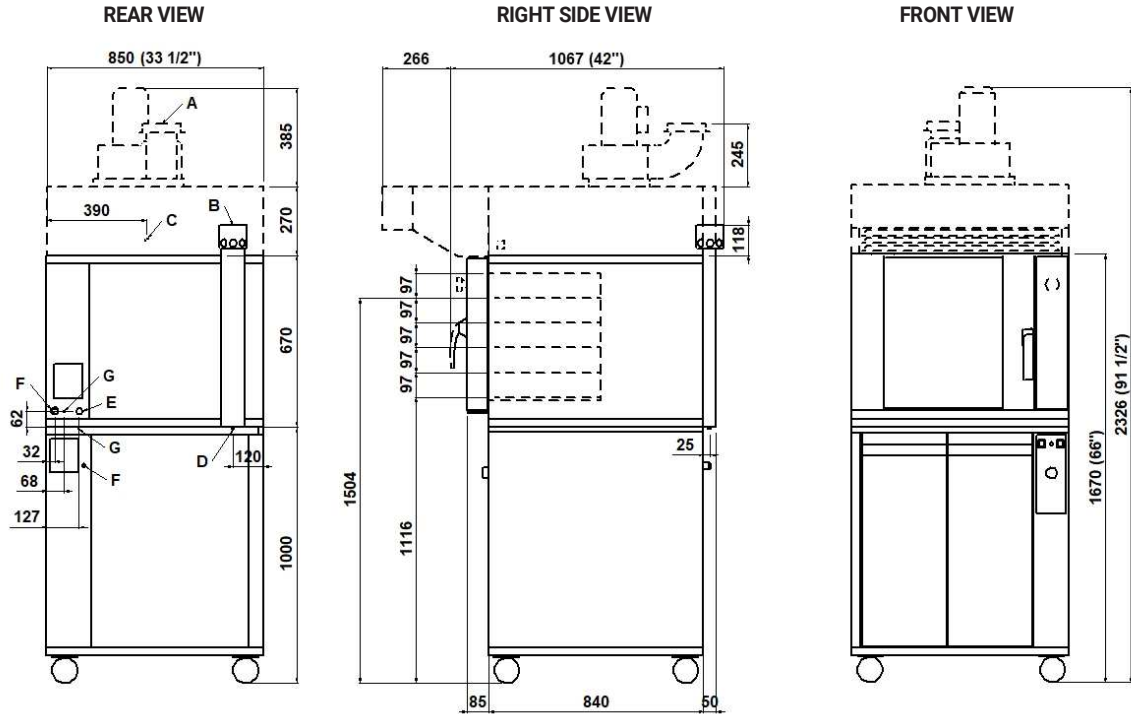
- Color multilanguage display TFT 5"
- 100 customized programs with the possibility to program up to 9 baking steps with preheating function
- Weekly timer with the possibility to program two lightings and two power off every day
- Customized Hotkey with recurring control
- Humidity management
- USB slot for data reading/input Data-Feed™ System
- Eco-Standby™ Technology for break
- Power-Booster™ Technology for workload peaks
- Self-diagnosis with error message display
- Lighting with halogen lamps easy to replace
- Setting steaming
- Independent maximum temperature safety device

### TOP VIEW



**1 baking element**

(assembled with prover 1000mm)



**NOTE:** The dimensions indicated in the views are in millimeters.

<b>A</b> Ø152 hood steam exhaust	<b>B</b> Ø INT. 102 steam exhaust	<b>C</b> Ø16 hood condensate exhaust	<b>D</b> Ø11 condensate exhaust
<b>E</b> 3/4" MALE water infeed	<b>F</b> fairleads	<b>G</b> M6 equipotential scrow	

**EXTERNAL DIMENSION**

External height	698 mm
External depth	1065 mm
External width	850 mm
Weight	105 kg

**SHIPPING INFORMATION**

Packed oven sizes:	
Height	850 mm
Depth	1055 mm
Width	920 mm
Weight	(105+15) kg

**FEEDING AND POWER**

Standard feeding	
A.C. V400 3N	
Feeding on request	
A.C. V230 3, A.C. V230 1N	
Frequency	50Hz (60 Hz opz.)
Max power	9,3 kW
*Average power cons	3,1 kWh
Connection cable	
type H07RN-F	
5x4mm <sup>2</sup> (V400 3N)	
4x6mm <sup>2</sup> (V230 3)	
3x10mm <sup>2</sup> (V230 1N)	
Water pressure 1-1,5 bar	
Prover feeding	
A.C. V230 1N 50/60 Hz	
Max power	1 / 1,25 kW (hu. prover)
*Average power cons	0,7 kWh
Conn. cable type H07RN-F 3x1,5mm <sup>2</sup>	

**TOTAL BAKING CAPACITY**

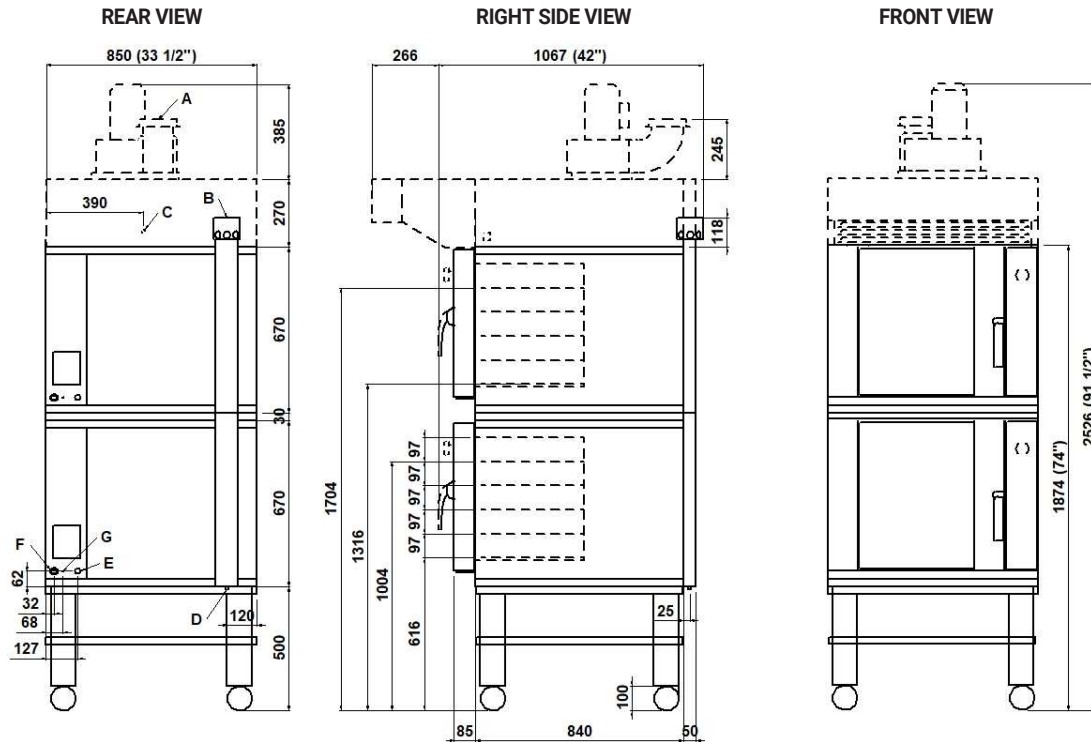
Tray (60x40)cm	5
Space between trayholders	97mm

**PROVER/STAND CAPACITY**

Tray (60x40)cm	10-14/10-18
Space between trayholders	80mm

\* This value is subject to variation according to the way in which the equipment is used  
 NOTE: MORETTI FORNI S.P.A. reserves the right to modify the characteristics of the products illustrated in this publication without prior notice

**2 baking elements**  
(assembled with stand 500mm)



**NOTE:** The dimensions indicated in the views are in millimeters.

<b>A</b> Ø152 hood steam exhaust	<b>B</b> Ø INT. 102 steam exhaust	<b>C</b> Ø16 hood condensate exhaust	<b>D</b> Ø11 condensate exhaust
<b>E</b> 3/4" MALE water infeed	<b>F</b> fairleads	<b>G</b> M6 equipotential scrow	

**EXTERNAL DIMENSION**

External height	1398 mm
External depth	1065 mm
External width	850 mm
Weight	210 kg

**SHIPPING INFORMATION**

Each packed element:	
Height	850 mm
Depth	1055 mm
Width	920 mm
Weight	(105+15) kg

**FEEDING AND POWER**

Standard feeding	A.C. V400 3N
Feeding on request	A.C. V230 3, A.C. V230 1N
Frequency	50Hz (60 Hz opz.)
Max power	18,6 kW
*Average power cons	6,2 kWh
Connection cable for each element	type H07RN-F
	5x4mm <sup>2</sup> (V400 3N)
	4x6mm <sup>2</sup> (V230 3)
	3x10mm <sup>2</sup> (V230 1N)
Water pressure	1-1,5 bar
Prover feeding with humidifier	A.C. V230 1N 50/60 Hz
Max power	1,25 kW
*Average power cons	0,7 kWh
Conn. cable type	H07RN-F 3x1,5mm <sup>2</sup>

**TOTAL BAKING CAPACITY**

Tray (60x40)cm	5+5
Space between trayholders	97mm

**PROVER/STAND CAPACITY**

Tray (60x40)cm	10
Space between trayholders	80mm

\* il dato è suscettibile a variazioni in accordo al differente utilizzo dell'attrezzatura  
**NOTE:** MORETTI FORNI S.P.A. si riserva il diritto di modificare senza preavviso le caratteristiche dei prodotti presentati in questa pubblicazione