



Electrolux
PROFESSIONAL

Modular Cooking Snack Line Open Cupboard 24"

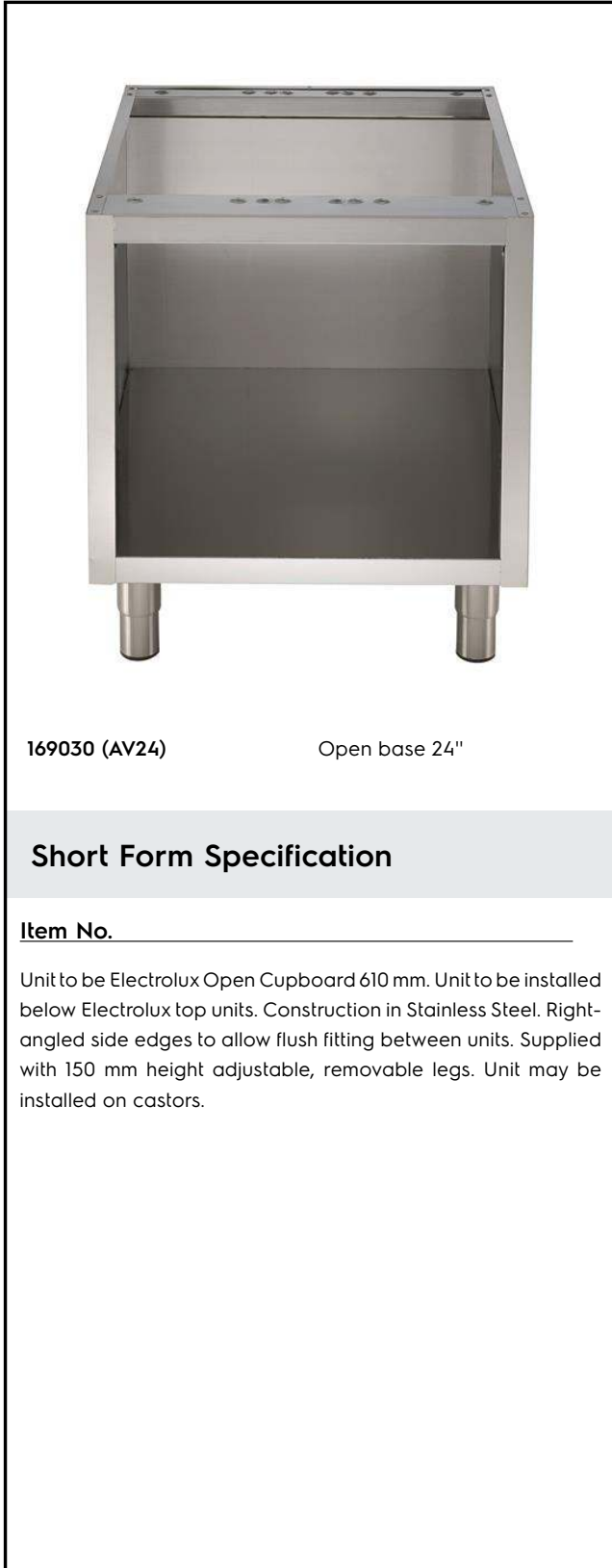
ITEM # _____

MODEL # _____

NAME # _____

SIS # _____

AIA # _____



169030 (AV24)

Open base 24"

Short Form Specification

Item No. _____

Unit to be Electrolux Open Cupboard 610 mm. Unit to be installed below Electrolux top units. Construction in Stainless Steel. Right-angled side edges to allow flush fitting between units. Supplied with 150 mm height adjustable, removable legs. Unit may be installed on castors.

Main Features

- Unit to be installed below Electrolux Professional top models.
- Constructed in Stainless steel with Scotch Brite finish.
- Right-angled side edges to allow flush fitting joints between units.
- Supplied with 6" (150 mm) height adjustable, removable legs.
- Unit may be installed on castors.
- Base compartment for storage of pots, pans, sheet pans, etc.
- Included Accessories: 4 pins for connection to top units.

Optional Accessories

- Kit connecting Bases - 2 Plates and 2 wheels PNC 169041
- Kit 2 side supports for shelf grids for base 24" and 36" PNC 169089
- Shelf grid for base 24" PNC 169091
- Portioning shelf 12" PNC 169173
- Portioning shelf 16" PNC 169174
- Portioning shelf 24" PNC 169175
- Kit 4 wheels - 2 swivelling with brake - it is mandatory to install base support and wheels PNC 206135

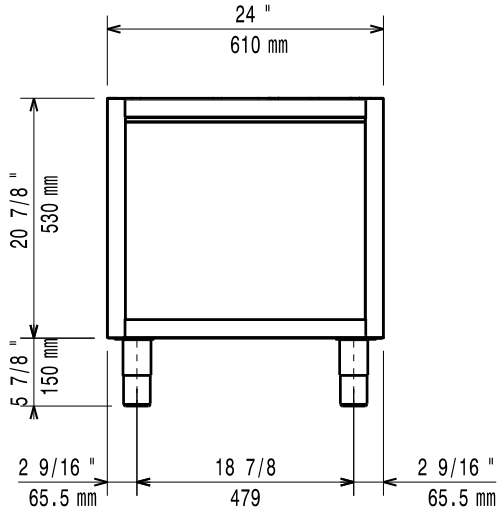
APPROVAL: _____



Experience the Excellence
www.electroluxprofessional.com
professional@electrolux.com

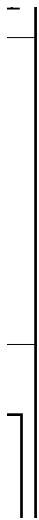
Modular Cooking Snack Line
Open Cupboard 24"

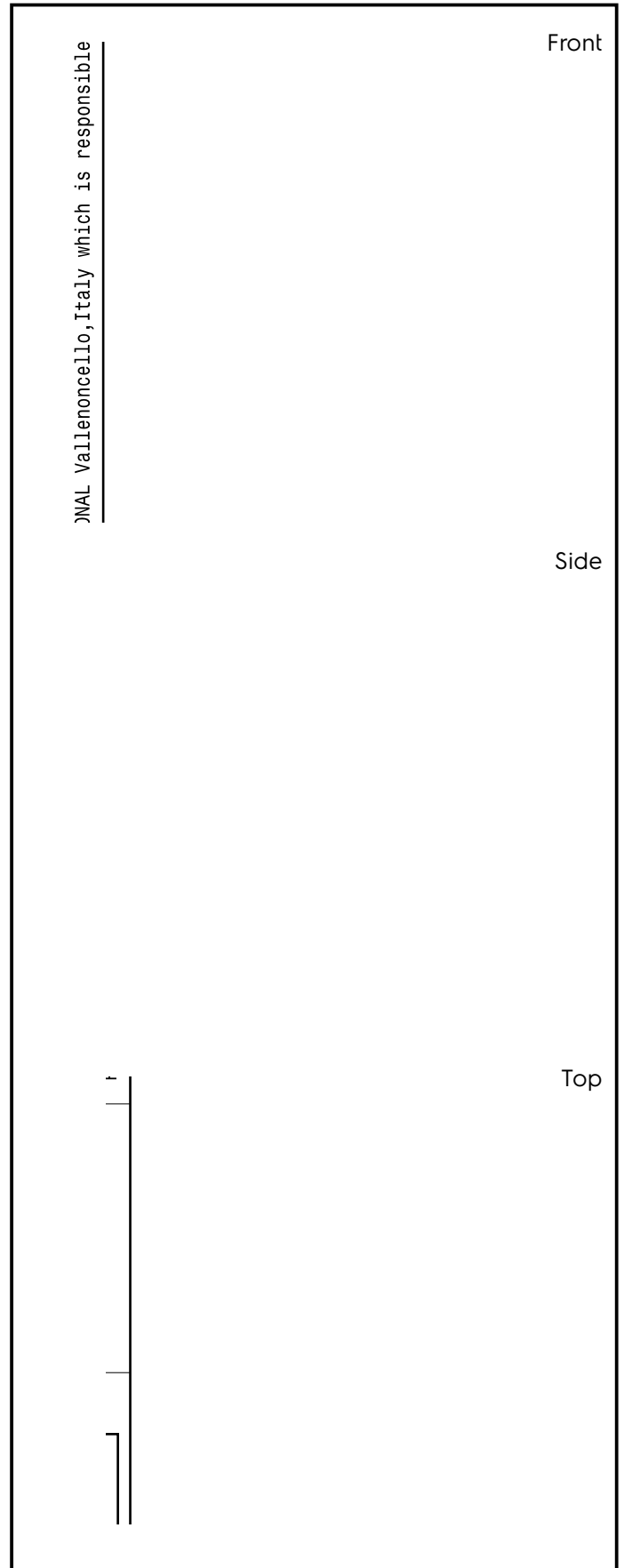
Front



Side

Top





Key Information:

External dimensions, Width:	
169030 (AV24)	24 1/32" (610 mm)
External dimensions, Depth:	29 15/16" (760 mm)
External dimensions, Height:	26 11/16" (678 mm)
Net weight:	44 lbs (20 kg)
Shipping width:	26 " (660 mm)
Shipping depth:	35 7/16" (900 mm)
Shipping height:	34 1/4" (870 mm)
Shipping weight:	71 lbs (32 kg)
Shipping volume:	18.25 ft ³ (0.52 m ³)