

EMPower 24" Scratch Resistant Chrome Smooth Gas Griddle Top with Piezo Ignition

ITEM # _____

MODEL # _____

NAME # _____

SIS # _____

AIA # _____


169225 (ARG24FLCEPN)

EM Series Restaurant Range griddle, gas, 24" wide, smooth Scratch Resistant NitroChrome3 surface with 4" adjustable, removable legs 52,000 BTU

Main Features

- Three individually controlled high efficiency 7,6 kW burners.
- Stainless steel grease trough, one piece rolled front.
- Insulated cooktop to conserve energy.
- Flame failure device to protect against accidental extinguishing of the flame.
- All major compartments located in front of unit for ease of maintenance.
- Front, side and rear panels in Stainless Steel with Scotch Brite finish.
- Right-angled side edges to allow flush fitting joints between units, eliminating gaps and possible dirt traps.
- Kit for installation of top units to neutral bases and cupboards provided as standard.
- Included accessories: propane converter kit, pressure regulator.
- One large 3.8 lt removable grease collector drawer.
- Piezo ignition of each burner.
- Height adjustable feet.
- Snap-action switch thermostat with a probe embedded into the cooking plate for faster recovery and more accurate temperature control.
- Scratch resistant cooking surface thanks to a special treatment of the chromium plate.
- Easy to clean and corrosion resistant chromium surface.

Construction

- 4 screws to install on the cupboard base are supplied with the unit.
- Gas pressure regulator is supplied with the unit.
- Cooking surface 25mm thick coated steel for optimum grilling results and ease of use.

Included Accessories

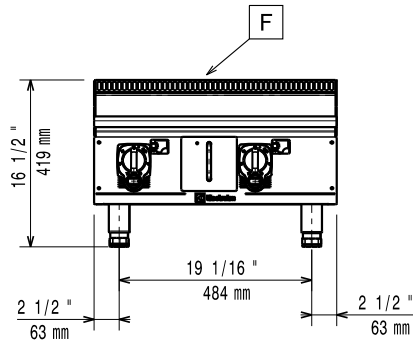
- 1 of Scraper for smooth plate fry tops PNC 164255

Optional Accessories

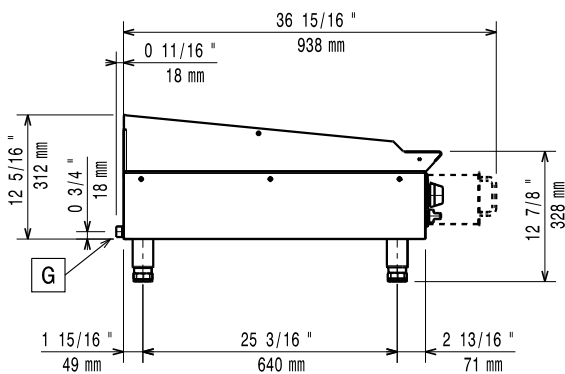
- Scraper for smooth plate fry tops PNC 164255
- 4 pins to fix Top to refrigerated/ Open Base PNC 169048
- Backshelf to wall installation 24" Units PNC 169098
- Portioning shelf 12" PNC 169173
- Portioning shelf 16" PNC 169174
- Portioning shelf 24" PNC 169175
- Cloche for fry tops PNC 206455

APPROVAL: _____

Front

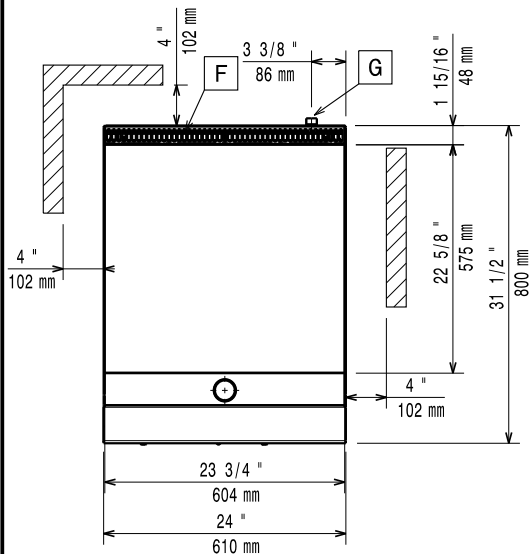


Side



EQ = Equipotential screw
 G = Gas connection

Top



Gas

Gas Power:	
169225 (ARG24FLCEPN)	52000 Btu/hr (15.2 kW)
Gas Power:	13 kW
Standard gas delivery:	Natural Gas
Gas Type Option:	;Propane
Natural gas - Pressure:	4" w.c. (10 mbar)
Propane Gas Pressure:	7,2" w.c. (18 mbar)

Key Information:

External dimensions, Width:	610 mm
External dimensions, Depth:	800 mm
External dimensions, Height:	419 mm
Net weight:	72 kg

If appliance is set up or next to or against temperature sensitive furniture or similar, a safety gap of approximately 150 mm should be maintained or some form of heat insulation fitted.