



CITRUS JUICE EXTRACTOR ECP 230/50/1

Lever-operated citrus juice squeezer



P/N 3420033



FEATURES AND BENEFITS

- ✓ Stainless steel body.
- ✓ Lever-operated.
- ✓ Easy to clean.

SALES DESCRIPTION

ACCESSORIES

- Outer strainer
- Stainless steel decanter



sammic | www.sammic.com
Food Service Equipment Manufacturer

Polígono Basarte, 1. phone +34 943 15 72 36
20720 Azkoitia, Spain sales@sammic.com



Project	Date
Item	Qty
Approved	

SNACK BAR-PIZZERIA
COMMERCIAL ORANGE JUICERS

product sheet
updated 12/11/2019



CITRUS JUICE EXTRACTOR ECP 230/50/1

Lever-operated citrus juice squeezer



P/N 3420033

SPECIFICATIONS

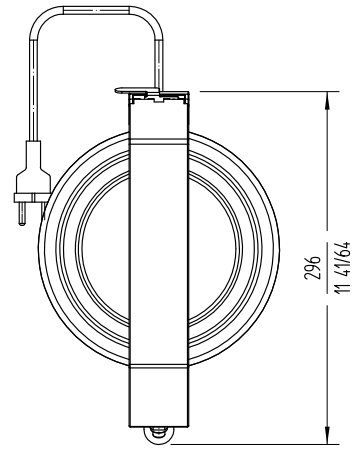
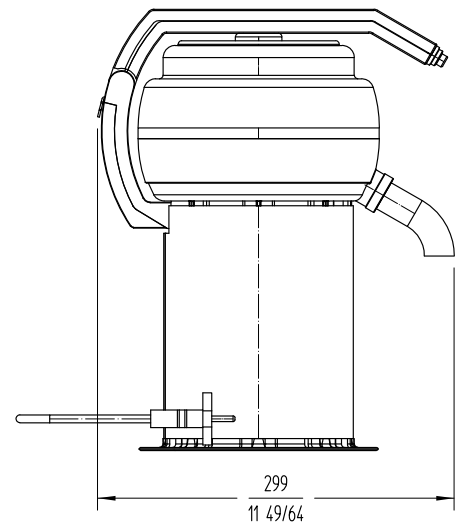
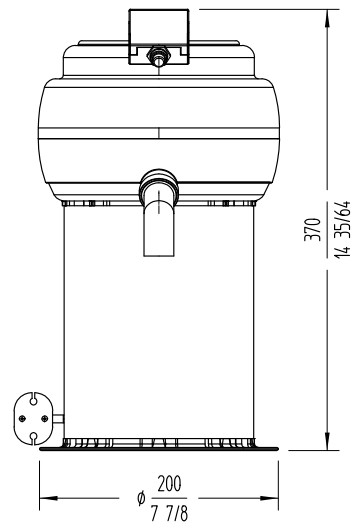
Production oranges/hour: 200
Total loading: 130 W
Electrical supply: 230 V / 50 Hz / 1 ~ (1.1 A)
Plug: EU

External dimensions (WxDxH)

- ✓ Width: 200 mm
- ✓ Depth: 300 mm
- ✓ Height: 370 mm

Crated dimensions

300 x 300 x 445 mm
Gross weight: 9.8 Kg.



SNACK BAR-PIZZERIA
COMMERCIAL ORANGE JUICERS

sammic | www.sammic.com
Food Service Equipment Manufacturer
Polígono Basarte, 1. phone +34 943 15 72 36
20720 Azkoitia, Spain sales@sammic.com



Project	Date
Item	Qty
Approved	

product sheet
updated 12/11/2019