



COMMERCIAL ORANGE JUICER ECM

Hand-operated citrus juice squeezer



SNACK BAR-PIZZERIA
COMMERCIAL ORANGE JUICERS



FEATURES AND BENEFITS

- ✓ Stainless steel body.
- ✓ Hand operated.
- ✓ Easy to use and clean.
- ✓ Durable.
- ✓ For all types of establishments

SALES DESCRIPTION

Hand-operated citrus juice squeezer with an hourly output of up to 200 oranges.

ACCESSORIES

- Outer strainer
- Stainless steel decanter



sammic | www.sammic.com
Food Service Equipment Manufacturer

Polígono Basarte, 1. phone +34 943 15 72 36
20720 Azkoitia, Spain sales@sammic.com



Project	Date
Item	Qty
Approved	

product sheet
updated 12/11/2019



COMMERCIAL ORANGE JUICER ECM

Hand-operated citrus juice squeezer



SPECIFICATIONS

Production oranges/hour: 200

Total loading: 130 W

External dimensions (WxDxH)

✓ Width: 200 mm

✓ Depth: 280 mm

✓ Height: 340 mm

Noise level (1m.): 60 dB(A)

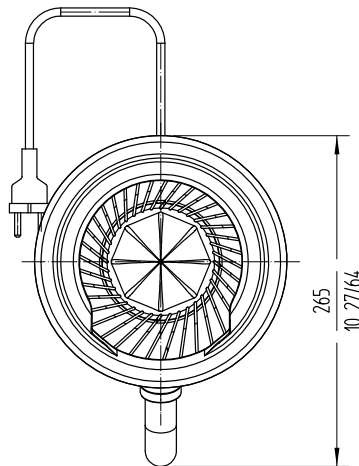
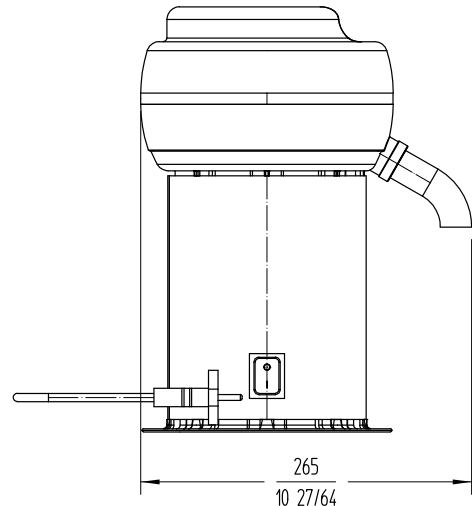
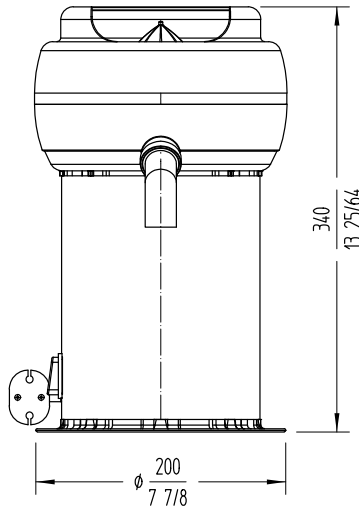
Background noise: 25 dB(A)

Net weight: 7 Kg

Crated dimensions

300 x 300 x 445 mm

Gross weight: 9 Kg.



AVAILABLE MODELS

3420030 Citrus juice extractor ECM 230/50/1

3420031 Citrus juice extractor ECM 120/60/1

3420032 Citrus juice extractor ECM 220/60/1

3420038 Citrus juice extractor ECM 230/50/1UK

* Ask for special versions availability

sammic | www.sammic.com
Food Service Equipment Manufacturer

Polígono Basarte, 1. phone +34 943 15 72 36
20720 Azkoitia, Spain sales@sammic.com



Project

Date

Item

Qty

Approved

SNACK BAR-PIZZERIA
COMMERCIAL ORANGE JUICERS

product sheet
updated 12/11/2019