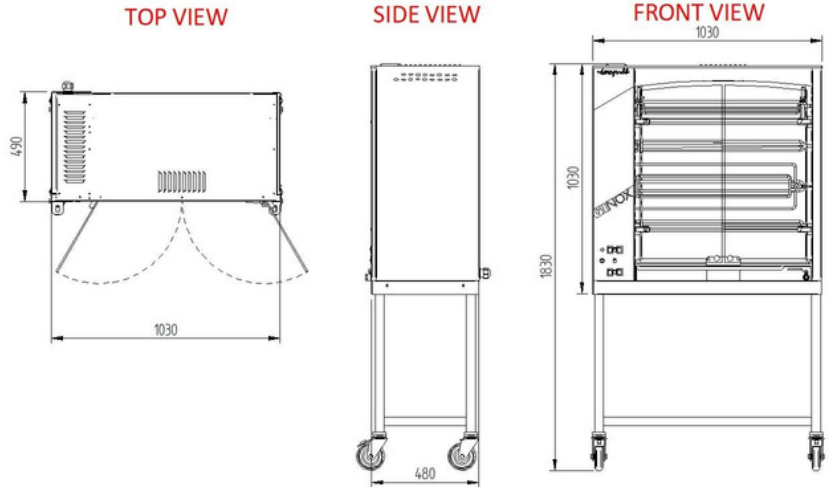




Spit roast rotisserie oven

Product Advantages:

- Stainless Steel design with powerful lighting system.
- Glass-ceramic protected quartz lighting.
- 4 spits
- Adjustable spits allow to cook any type of products from chicken to turkey, lamb, beef and vegetables.
- A variety of attachments are also available such as basket spits and chicken spits.
- Our rotisserie ingenious spit adjustment guarantees a perfect cooking regardless of the size of the product.
- Individual motors.
- Easy to clean and safe to maintain.
- Removable panels.
- Drain valve.
- Fast and consistent from 12 to 16 chickens capacity.
- The unique individual heating element system provides exceptional control and unmatched durability.
- Stainless Steel panels.



Installation requirements:

- Electrical power provided by customer.

Technical Data:

- Connected load: 11kW 415V three-phase N+E – 20A

