



DRB500

ICE STORAGE BIN WITH TROLLEYS

The DRB500 is a stainless steel structure with two 108kg capacity polyethylene moulded trolleys for transporting ice cubes or flakes.

When coupled with a modular head, the DRB500 generously stores ice to meet peak demand times for a range of applications.

Can be coupled with: TM450, G510 (x2), G1000, M600, 800/1500.

STANDARD FEATURES

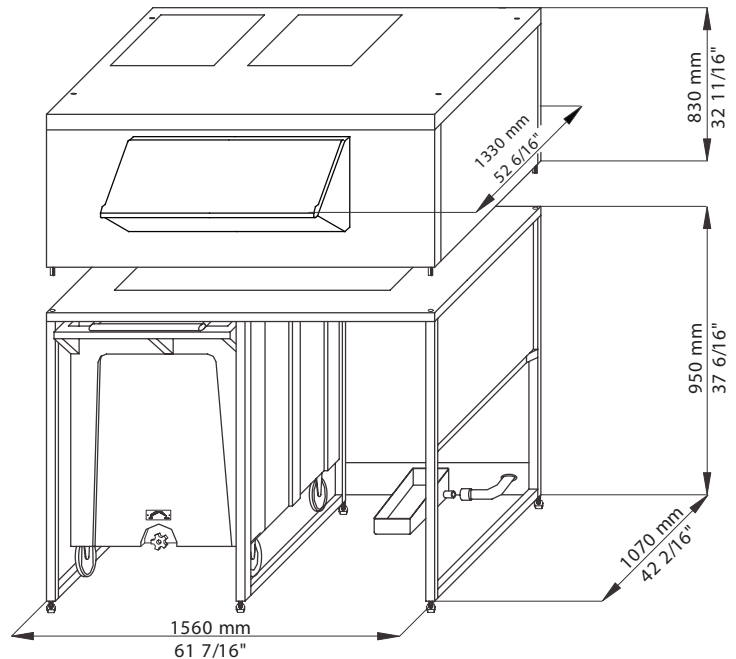
- Bay storage capacity of 300kg
- 108kg storage capacity per trolley
- Can be coupled with a range of Brema modular ice machine heads
- Stainless steel structure
- Polyethylene moulded trolleys
- Piano-hinged door

STANDARD ACCESSORIES

- Drainage hose
- Plastic Ice Scoop



DIMENSIONS	
1560W x 1330D x 1780H mm	
Clearances: Rear: 100mm Sides: 100mm	
CONNECTIONS	
24mm Water outlet	
TECHNICAL DATA	
Store Capacity:	300kg
Storage Capacity:	108kg x 2
Weight:	204kg
USABLE WITH MODULAR HEADS	
G500/1000, G500 (x2), M600/800/1500	
SPECIFICATIONS ARE SUBJECT TO CHANGE WITHOUT NOTICE.	



National Head Office
 156 Swann Drive
 Derrimut VIC 3030
 Tel: +61 3 8369 4600
 Fax: +61 3 8369 4699
www.comcater.com.au

Melbourne
 96-100 Tope Street
 South Melbourne VIC 3205
 Tel: +61 3 8369 4600
 Fax: +61 3 8699 1299

Sydney
 20/4 Avenue of the Americas
 Newington, NSW 2127
 Tel: +61 2 9748 3000
 Fax: +61 2 9648 4762

Brisbane
 1/62 Borthwick Avenue
 Murarrie QLD 4172
 Tel: +61 7 3399 3122
 Fax: +61 7 3399 5311

Perth
 Unit 16, 7 Abrams Street
 Balcatta, WA 6021
 Tel: +61 8 6217 0700
 Fax: +61 8 6217 0799