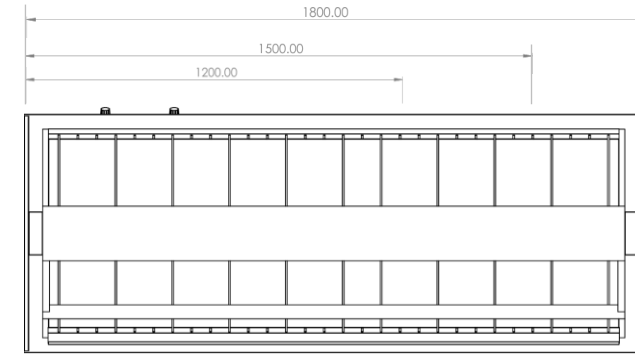
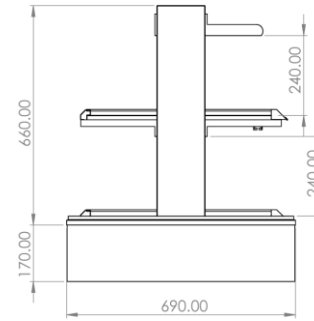


HC

OTSHC12
OTSHC15
OTSHC18

PRODUCT FEATURES

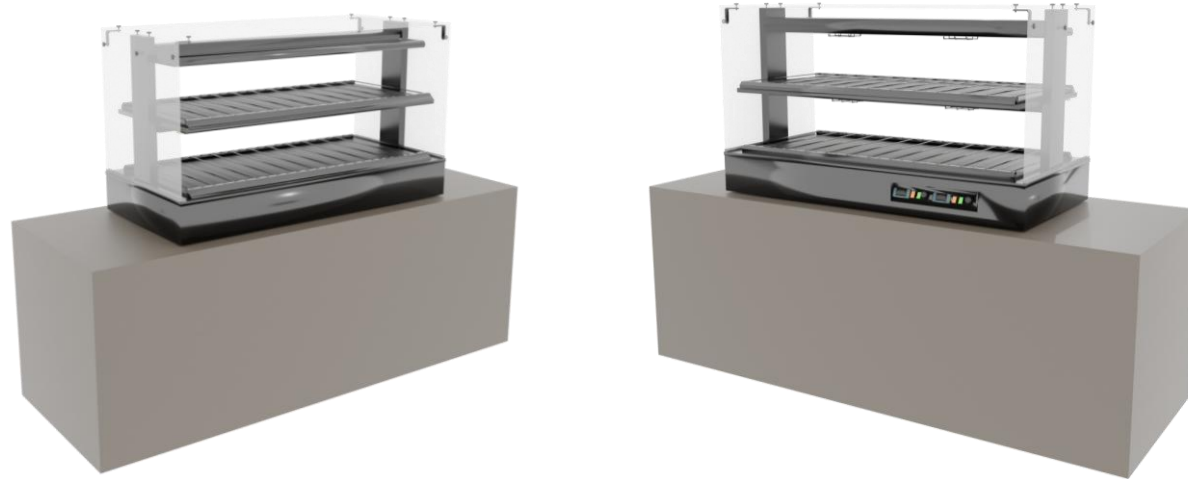
- Heated aluminium base and shelf
- Overhead ceramic heaters and LED lighting
- Digital thermostatic controller
- Ticket strips on shelf and base
- Removable stainless steel dividers to allow for varied spacings



MODEL	CABINET				BENCH TOP CUT OUT HOLE SIZE	SHELVING	OPERATING TEMP	SHELF	DISPLAY	FREQUENCY	POWER		CONNECTION POWER CORD 2200MM		VOLTAGE	PACKED FOR SHIPPING			
	LENGTH (MM)	DEPTH (MM)	HEIGHT (MM)	WEIGHT KG							W X D	DEG C	W X D	M ²		Hz	KW 230V	AMP	NZ/AUS 3 PIN PLUG 15 AMP
OTSHC12	1200	690	830	126	1174 X 666	1 + BASE	75-85	1060 X 525	1.11	50/60	2.1	9.0	3 PIN PLUG 15 AMP	3 PIN PLUG	220-240	1300	770	1000	133
OTSHC15	1500	690	830	158	1474 X 666	1 + BASE	75-85	1360 X 525	1.43	50/60	2.6	11.4	LEAD ONLY	LEAD ONLY	220-240	1600	770	1000	166
OTSHC18	1800	690	830	189	1774 X 666	1 + BASE	75-85	1660 X 525	1.74	50/60	3.9	16.7	LEAD ONLY	LEAD ONLY	220-240	1900	770	1000	200

BENCHTOP WITH BASE

The OTSHC comes with a base that allows it to sit on top of a bench



DROPPED INTO A BENCH

The base can be removed and the unit can be dropped into a cutout in a bench

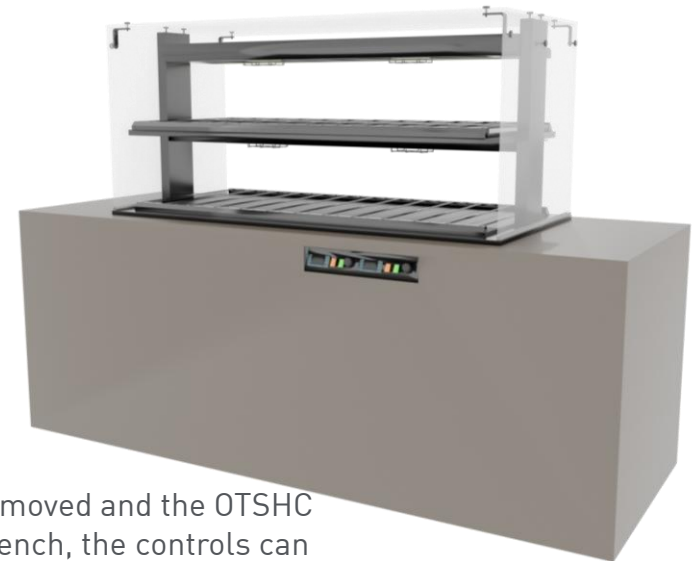


CONTROLLER BOX MOVEMENT

The controller box is connected to the unit via a 1.5 metre long cable which allows for the box to be installed into a bench as well as attached to the base.



Each OTSHC comes with a base with the controls installed into the base frame



With the base removed and the OTSHC dropped into a bench, the controls can be installed into the side of the bench

CONTROLLER BOX

The controller box features two sets of controls and switches so that the base level and shelf level can be controlled separately.

