

## CABINET DIMENSIONS & SPECIFICATIONS

MODEL	CABINET			WEIGHT KG	BENCH TOP CUT OUT HOLE SIZE	TEMP RANGE DEG C	DISPLAY AREA M2	FREQUENCY	CURRENT WITH OVERHEAD HEATING & LEDS AMPS	POWER WITH OVERHEAD HEATING & LEDES KW 230V	CONNECTION ELECTRICAL POWER CORD 3000MM NZ/AUS/UK	VOLTAGE	PACKED FOR SHIPPING			
	LENGTH [MM]	DEPTH [MM]	HEIGHT [MM]										LENGTH [MM]	DEPTH [MM]	HEIGHT [MM]	WEIGHT [KG]
LSCM2-FT	805	690	555	65	775x672	75-95	0.33	50/60 HZ	7.9	1.9	10 AMP 3 PIN PLUG (UK 13 AMP)	220-240V	910	770	410	76
LSCM3-FT	1145	690	555	65	1115x672	75-95	0.51	50/60 HZ	11.7	2.691	15 AMP LEAD ONLY	220-240V	1250	770	410	88
LSCM4-FT	1485	690	555	85	1455x672	75-95	0.68	50/60 HZ	15.7	3.611	20 AMP LEAD ONLY	220-240V	1590	770	410	107
LSCM5-FT	1825	690	555	97	1795x672	75-95	0.86	50/60 HZ	19.6	4.508	20 AMP LEAD ONLY	220-240V	1930	770	410	128
LSCM6-FT	2165	690	555	109	2135x672	75-95	1.04	50/60 HZ	23.5	5.405	30 AMP LEAD ONLY	220-240V	2270	770	410	140

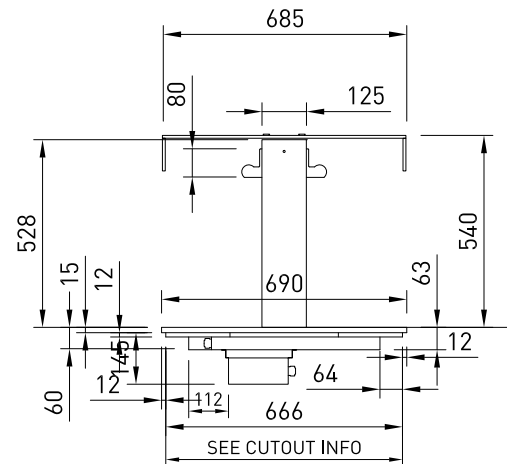
### PRODUCT FEATURES

- Ceramic Heated Glass
- Overhead Ceramic Heaters and LED Lighting
- Digital thermostatic controller

**INDUSTRY  
KITCHENS**

www.industrykitchens.com.au 1800 611 058

### LSCM-FT LEFT SIDE ELEVATION



### ELECTRICAL POWER

Electrical power cord 3000mm 1 phase connection required.  
Unit must be hard wired on site to isolation switch.

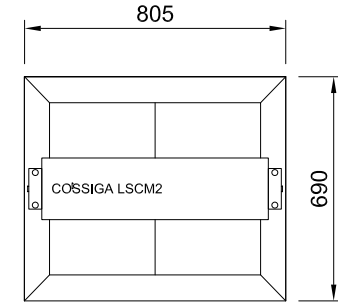
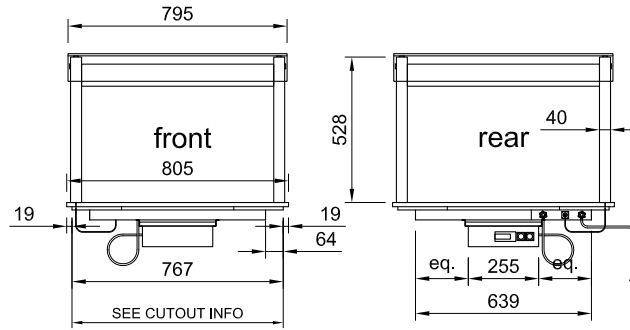
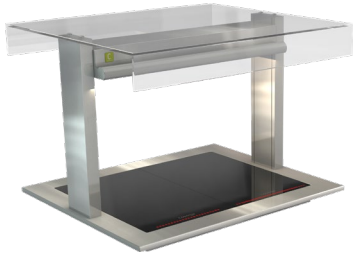
### ASSEMBLY REQUIRED

Prior to installation see, installation guidelines, ventilation requirements and drainage options documents

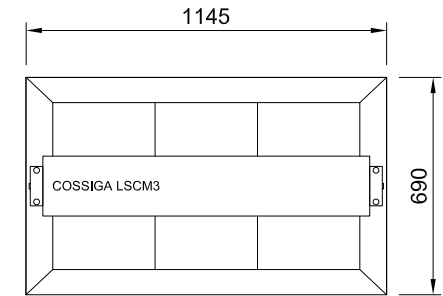
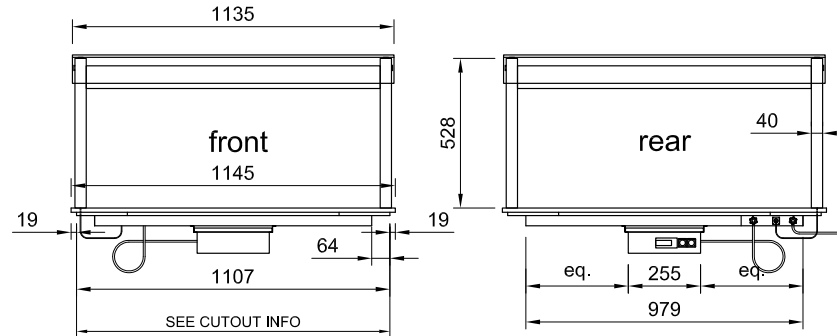
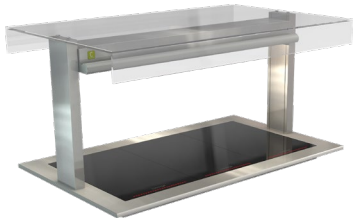
# LSCM-FT LINEAR SERIES - CERAMIC HEATED GLASS - Flat Top Sneeze Guard

COSSIGA

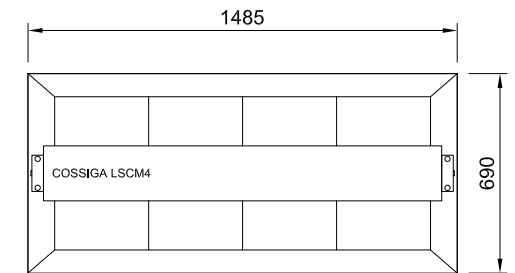
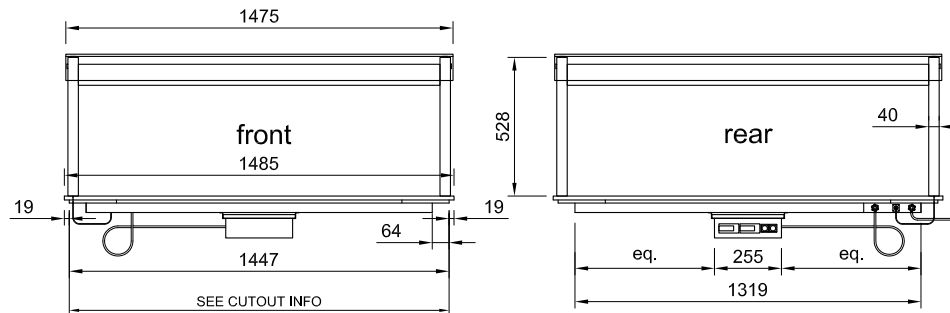
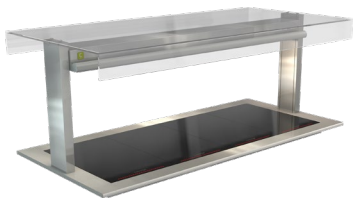
## LSCM2-FT



## LSCM3-FT



## LSCM4-FT



ASSEMBLY REQUIRED